

F

E

D

C

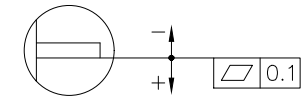
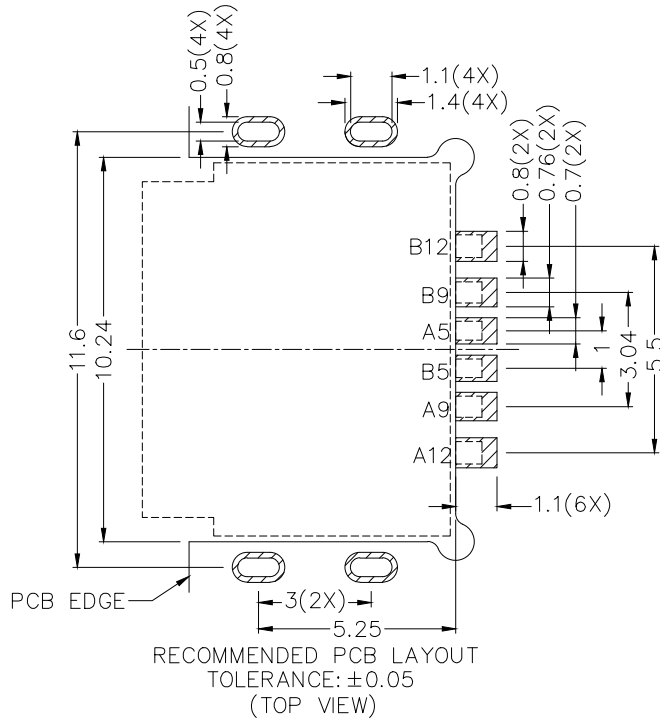
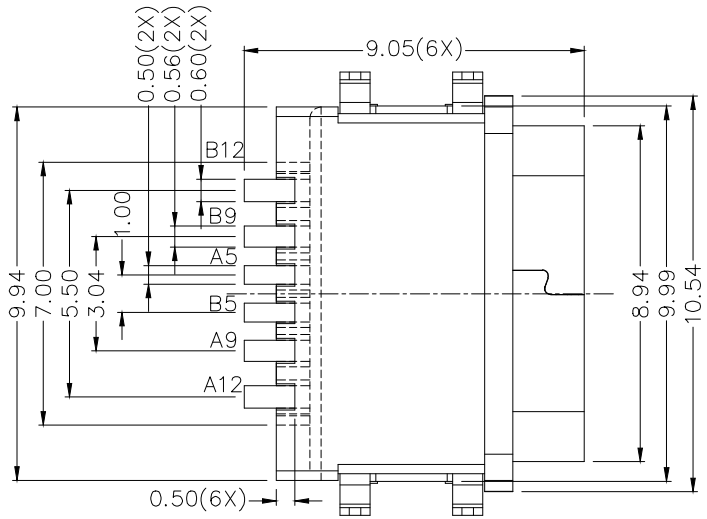
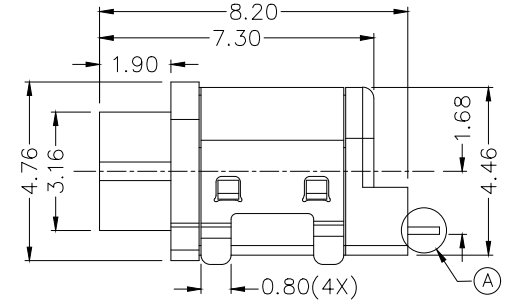
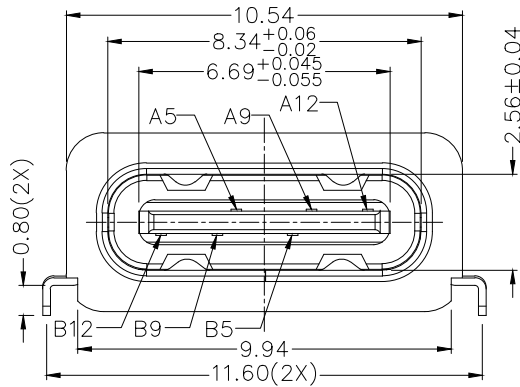
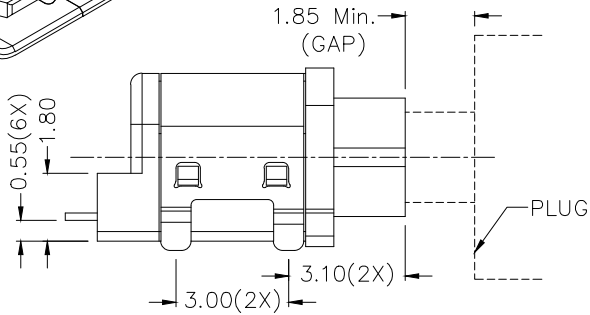
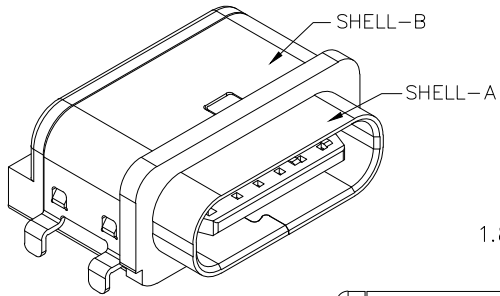
B

A

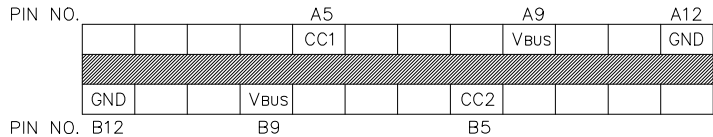
ZONE	SYMBOL	REVISION	APPROVAL	DATE
		ADD ASSEMBLY CHASSIS DIAGRAM	H.Q.ZHOU	7-4-2024
		ADD GAP	H.Q.ZHOU	7-4-2024



RoHS Compliant



A DETAIL COPLANARITY



DESCRIPTION	MATERIAL	PLATING
CONTACT	COPPER ALLOY	NICKEL PLATED ON ALL AREA, Au 1u" MIN ON CONTACT AREA, Sn 50u" MIN ON SOLDER AREA
SHELL-A	STAINLESS STEEL	NICKEL(Ni)
SHELL-B	STAINLESS STEEL	NICKEL(Ni)
MIDDLE PLATE	STAINLESS STEEL	
INSULATOR	HIGH TEMP. PLASTIC	COLOR:BLACK
HOUSING	HIGH TEMP. PLASTIC	COLOR:BLACK

LINKPLEX TECHNOLOGY LIMITED

DESIGN	H.L.TAN	DATE	18-2-2022	SCALE	5:1
DRAWING	J.H.ZHOU	DATE	7-4-2024	MATERIAL	
CHECK	T.Y.LI	DATE	7-4-2024	DWG. NO.	TZ\WPC107D-A/3.0
APPROVAL	H.Q.ZHOU	DATE	7-4-2024	SHEET	1/2

PART NAME	WATERPROOF USB TYPE-C (6PIN) CONNECTOR	TOLERANCE UNLESS	0.0±0.3	UNIT:	mm
PART NO.	LWP-C107D	OTHERWISE SPECIFIED:	0.00±0.25 0.000±0.1		

F

E

D

C

B

A

F

E

D

C

B

A

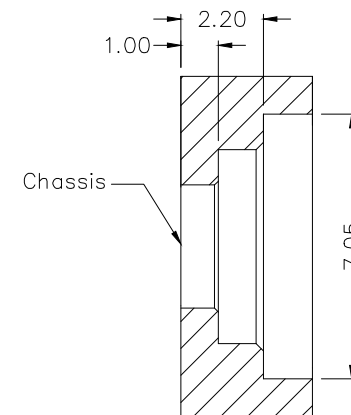
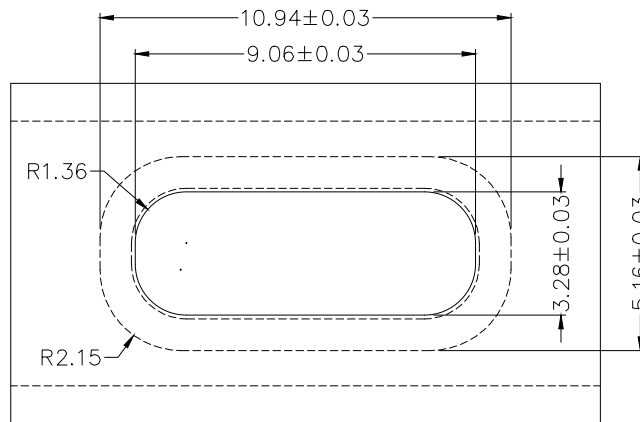
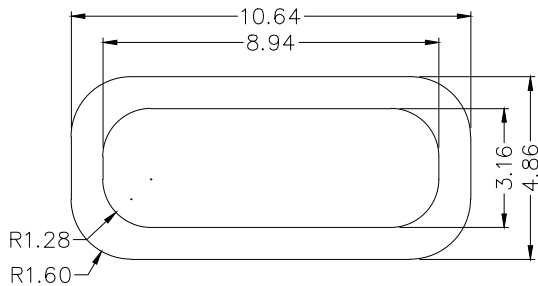


RoHS Compliant

ZONE	SYMBOL	REVISION	APPROVAL	DATE

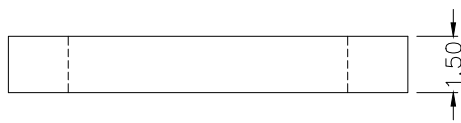
1

1



2

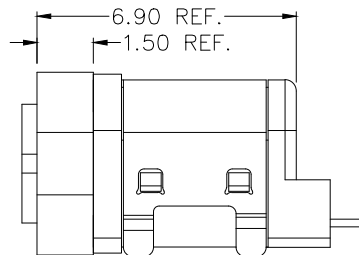
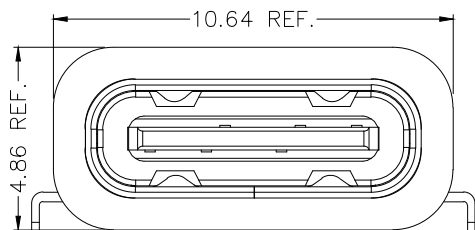
2



O-ring size (uncompressed)

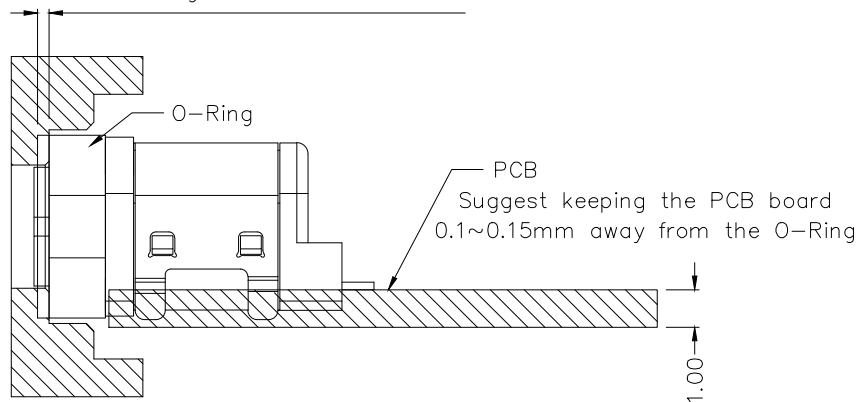
3

3



Assembly diagram

Interference gap between chassis and O-ring is 0.30 min



After assembling on chassis

4

4

LINKPLEX TECHNOLOGY LIMITED

DESIGN	H.L.TAN	DATE	18-2-2022	SCALE	5:1
DRAWING	J.H.ZHOU	DATE	7-4-2024	MATERIAL	
CHECK	T.Y.LI	DATE	7-4-2024	DWG. NO.	TZ\WPC107D-A/3.0
APPROVAL	H.Q.ZHOU	DATE	7-4-2024	SHEET	2/2

PART NAME	WATERPROOF USB TYPE-C (6PIN) CONNECTOR	TOLERANCE UNLESS	0.0±0.3	UNIT:	mm
PART NO.	LWP-C107D	OTHERWISE SPECIFIED:	0.00±0.25 0.000±0.1		

F

E

D

C

B

A