

F

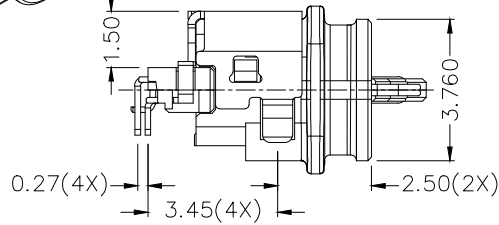
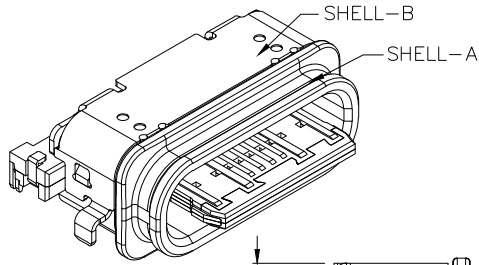
E

D

C

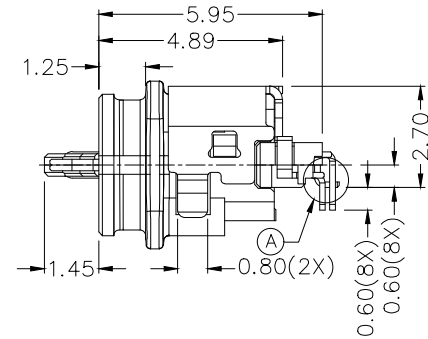
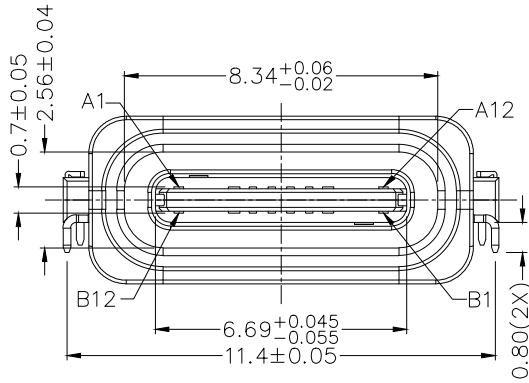
B

A



RoHS
Compliant

ZONE	SYMBOL	REVISION	APPROVAL	DATE
		ADD ASSEMBLY O-RING DIAGRAM	H.Q.ZHOU	5-1-2024

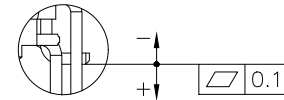
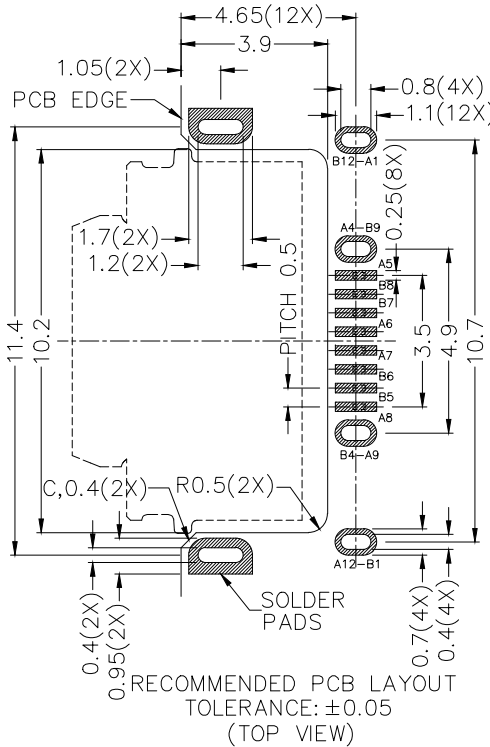
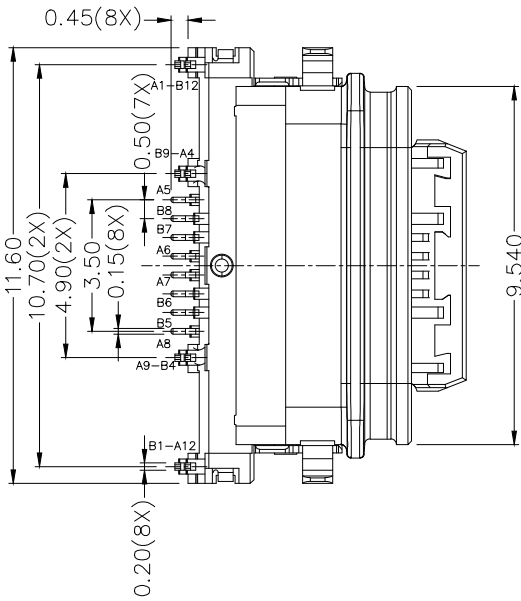


1

1

2

2



A DETAIL COPLANARITY

3

3

PIN ASSIGNMENT (FRONT VIEW)

PIN NO.	A1	A4	A5	A6	A7	A8	A9	A12
	GND	Vbus	CC1	D+	D-	SBU1	Vbus	GND
PIN NO.	B12	B9	B8	B7	B6	B5	B4	B1
	GND	Vbus	SBU2	D-	D+	CC2	Vbus	GND

4

4

DESCRIPTION	MATERIAL	PLATING
CONTACT	BRASS	NICKEL PLATED ON ALL AREA, GOLD FLASH ON CONTACT AREA, Sn 80u" MIN ON SOLDER AREA
SHELL-A	STAINLESS STEEL	NICKEL(Ni)
SHELL-B	STAINLESS STEEL	NICKEL(Ni)
INSULATOR	HIGH TEMP. PLASTIC	COLOR:BLACK



LINKPLEX TECHNOLOGY LIMITED

DESIGN	H.L.TAN	DATE	5-9-2022	SCALE	5:1
DRAWING	J.Q.ZHOU	DATE	5-1-2024	MATERIAL	
CHECK	T.Y.LI	DATE	5-1-2024	DWG. NO.	TZ\WPC101D-A/2.0
APPROVAL	H.Q.ZHOU	DATE	5-1-2024	SHEET	1/2

PART NAME WATERPROOF USB 2.0 TYPE-C (16 PIN) CONNECTOR
PART NO. LWP-C101D

TOLERANCE UNLESS OTHERWISE SPECIFIED:
0.0±0.3
0.00±0.2
0.000±0.1

UNIT: mm



F

E

D

C

B

A

F

E

D

C

B

A



RoHS Compliant

ZONE	SYMBOL	REVISION	APPROVAL	DATE

1

1

2

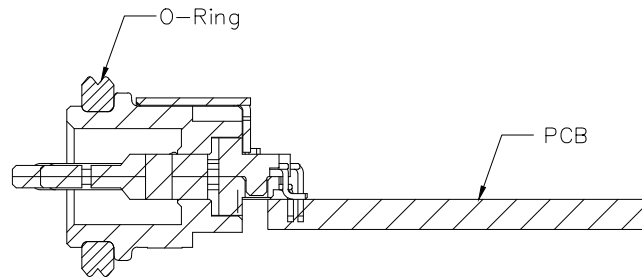
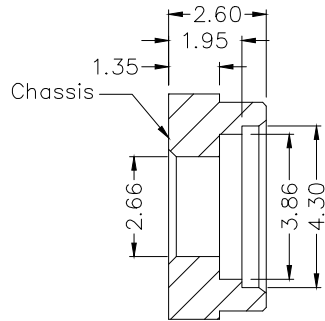
2

3

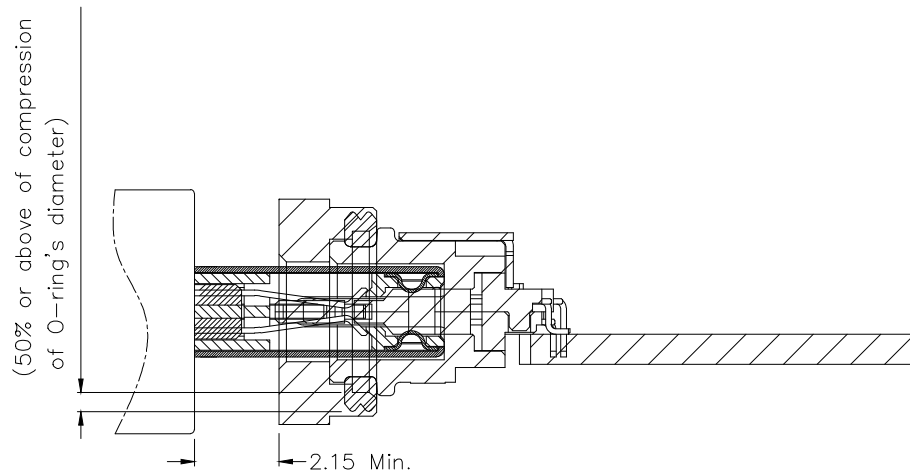
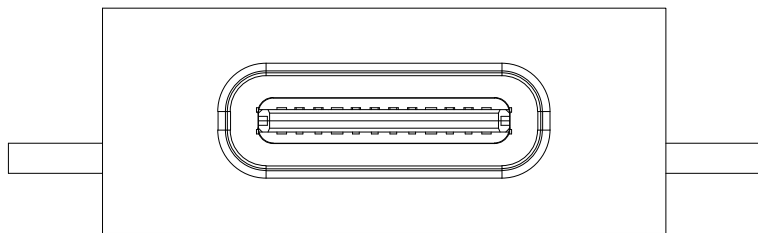
3

4

4



Assembly method



After assembling on chassis



LINKPLEX TECHNOLOGY LIMITED

PART NAME	WATERPROOF USB 2.0 TYPE-C (16 PIN) CONNECTOR	TOLERANCE UNLESS	0.0±0.3	UNIT:	
PART NO.	LWP-C101D	OTHERWISE SPECIFIED:	0.00±0.2 0.000±0.1	mm	

DESIGN	H.L.TAN	DATE	5-9-2022	SCALE	5:1
DRAWING	J.Q.ZHOU	DATE	5-1-2024	MATERIAL	
CHECK	T.Y.LI	DATE	5-1-2024	DWG. NO.	TZ\WPC101D-A/2.0
APPROVAL	H.Q.ZHOU	DATE	5-1-2024	SHEET	2/2

F

E

D

C

B

A