

F

E

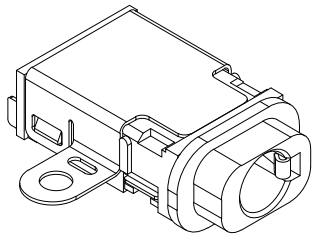
D

C

B

A

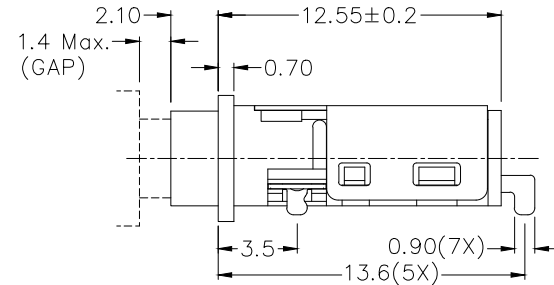
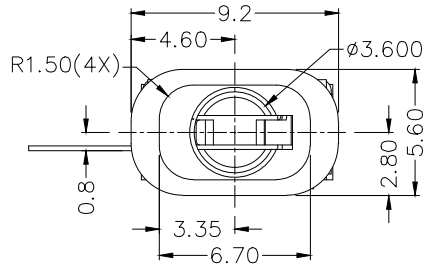
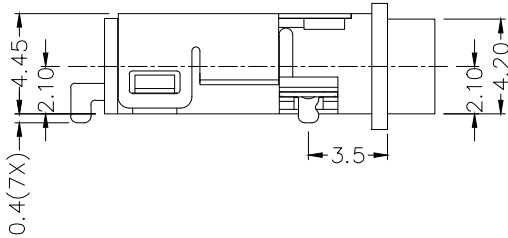
ZONE	SYMBOL	REVISION	APPROVAL	DATE
		ADD ASSEMBLY O-RING DIAGRAM	H.Q.ZHOU	27-1-2024



**RoHS**  
Compliant

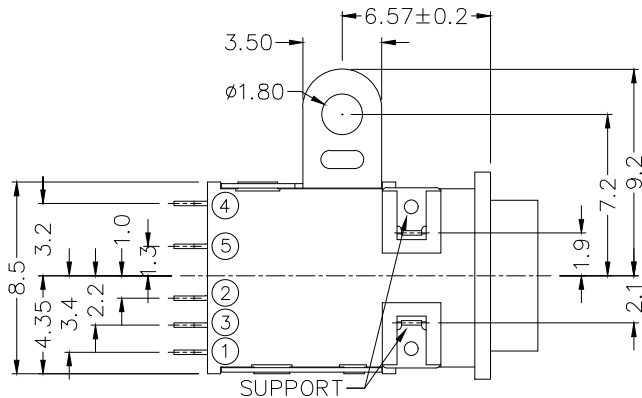
1

1



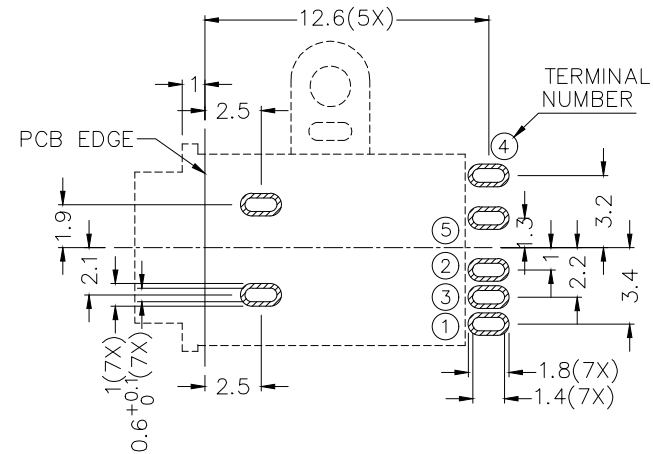
2

2



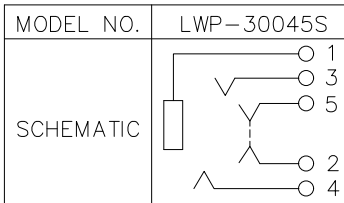
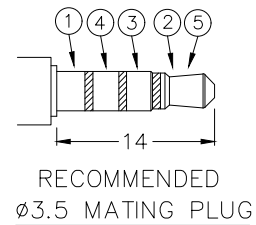
**\* MATERIAL**

- TERMINAL 1 : COPPER ALLOY
- TERMINAL 2 : COPPER ALLOY
- TERMINAL 3 : COPPER ALLOY
- TERMINAL 4 : COPPER ALLOY
- TERMINAL 5 : COPPER ALLOY
- SHIELD : STAINLESS STEEL
- SUPPORT : BRASS
- HOUSING : HIGH TEMP. PLASTIC
- COVER : HIGH TEMP. PLASTIC



3

3



RECOMMENDED PCB LAYOUT  
TOLERANCE: ±0.05  
(TOP VIEW)

4

4

**LINKPLEX TECHNOLOGY LIMITED**

DESIGN	H.L.TAN	DATE	3-2-2013	SCALE	3:1
DRAWING	Y.J.GUO	DATE	27-1-2024	MATERIAL	*
CHECK	T.Y.LI	DATE	27-1-2024	DWG. NO.	TZ\WP3004S-A/3.0
APPROVAL	H.Q.ZHOU	DATE	27-1-2024	SHEET	1/2

PART NAME	WATERPROOF 3.5MM AUDIO JACK	TOLERANCE UNLESS	0.0±0.2	UNIT:	mm
PART NO.	LWP-3004S	OTHERWISE SPECIFIED:	0.00±0.1 0.000±0.05		

F

E

D

C

B

A

F

E

D

C

B

A

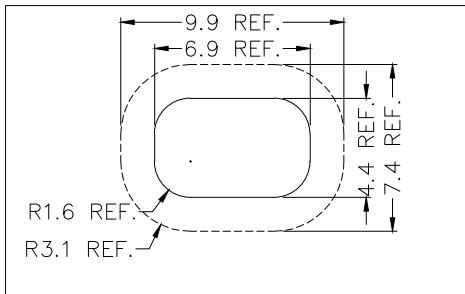


RoHS  
Compliant

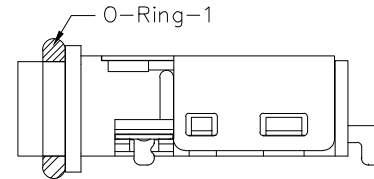
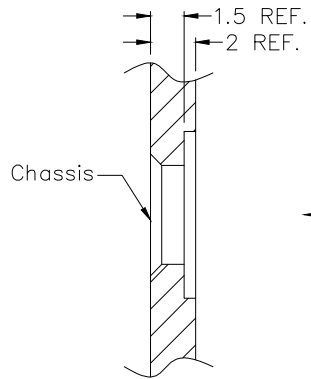
ZONE	SYMBOL	REVISION	APPROVAL	DATE

1

1

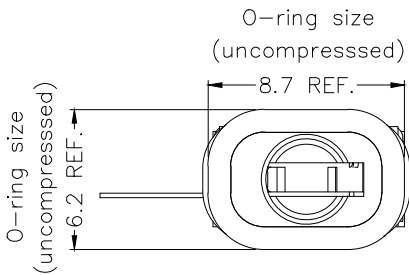


Top View



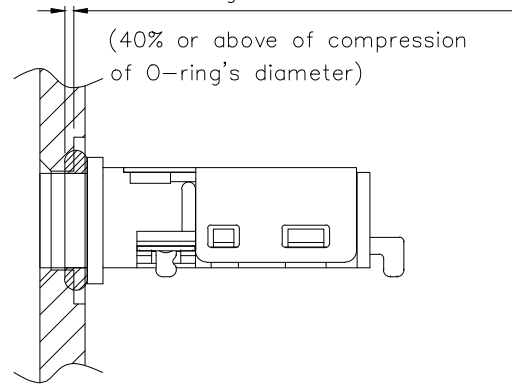
2

2



Interference gap between chassis and O-ring is 0.4 min

(40% or above of compression of O-ring's diameter)



After assembling on chassis

3

3

4

4



LINKPLEX TECHNOLOGY LIMITED

DESIGN	H.L.TAN	DATE	3-2-2013	SCALE	3:1
DRAWING	Y.J.GUO	DATE	27-1-2024	MATERIAL	*
CHECK	T.Y.LI	DATE	27-1-2024	DWG. NO.	TZ\WP3004S-A/3.0
APPROVAL	H.Q.ZHOU	DATE	27-1-2024	SHEET	2/2

PART NAME	WATERPROOF 3.5MM AUDIO JACK	TOLERANCE UNLESS	0.0±0.2	UNIT:	mm
PART NO.	LWP-3004S	OTHERWISE SPECIFIED:	0.00±0.1 0.000±0.05		

F

E

D

C

B

A