

F

E

D

C

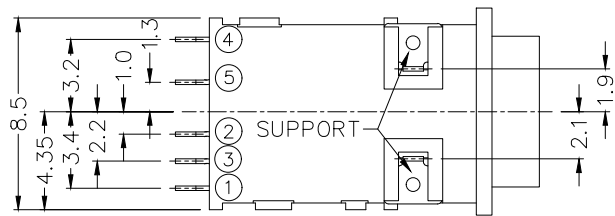
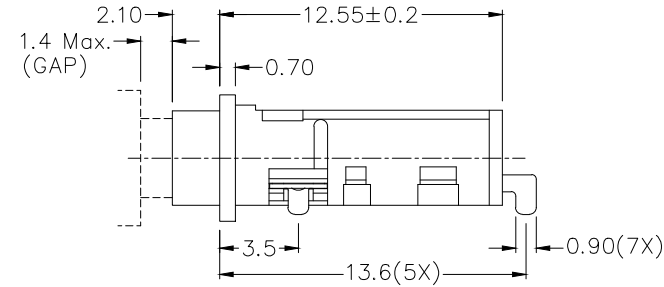
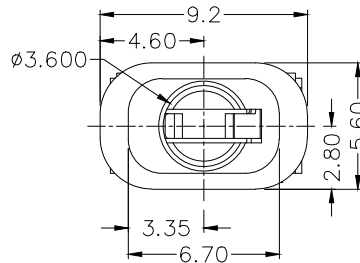
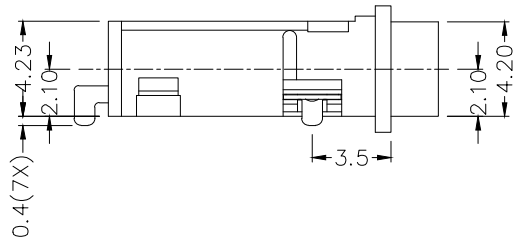
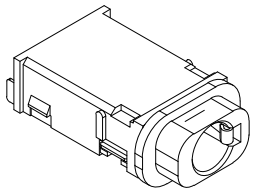
B

A

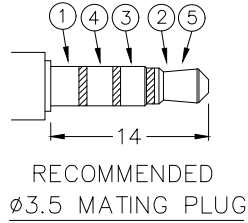
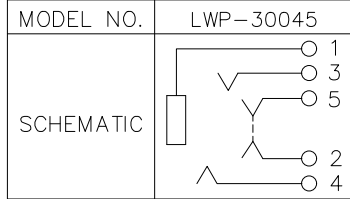
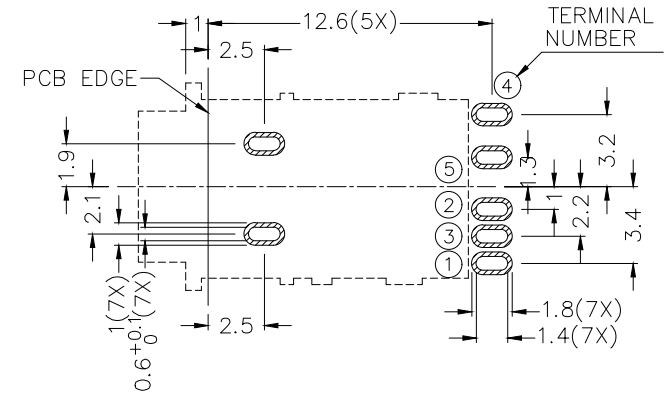
ZONE	SYMBOL	REVISION	APPROVAL	DATE
		ADD ASSEMBLY O-RING DIAGRAM	H.Q.ZHOU	27-1-2024



RoHS
Compliant



*** MATERIAL**
 TERMINAL 1 : COPPER ALLOY
 TERMINAL 2 : COPPER ALLOY
 TERMINAL 3 : COPPER ALLOY
 TERMINAL 4 : COPPER ALLOY
 TERMINAL 5 : COPPER ALLOY
 SUPPORT : BRASS
 HOUSING : HIGH TEMP. PLASTIC
 COVER : HIGH TEMP. PLASTIC



LINKPLEX TECHNOLOGY LIMITED

PART NAME	WATERPROOF 3.5MM AUDIO JACK	TOLERANCE UNLESS	0.0±0.2	UNIT:	mm
PART NO.	LWP-3004	OTHERWISE SPECIFIED:	0.00±0.1 0.000±0.05		

DESIGN	H.L.TAN	DATE	3-2-2013	SCALE	3:1
DRAWING	Y.J.GUO	DATE	27-1-2024	MATERIAL	*
CHECK	T.Y.LI	DATE	27-1-2024	DWG. NO.	TZ\WP3004-A/3.0
APPROVAL	H.Q.ZHOU	DATE	27-1-2024	SHEET	1/2

F

E

D

C

B

A

F

E

D

C

B

A

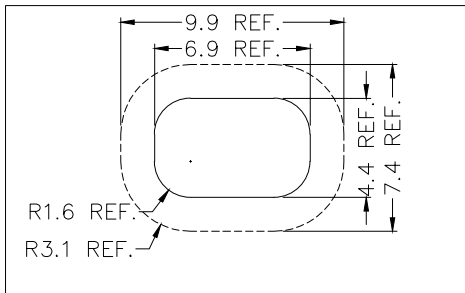


RoHS Compliant

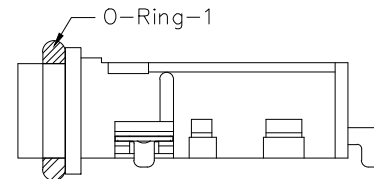
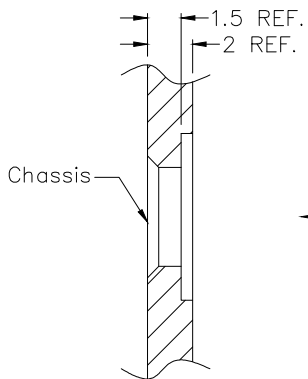
ZONE	SYMBOL	REVISION	APPROVAL	DATE

1

1

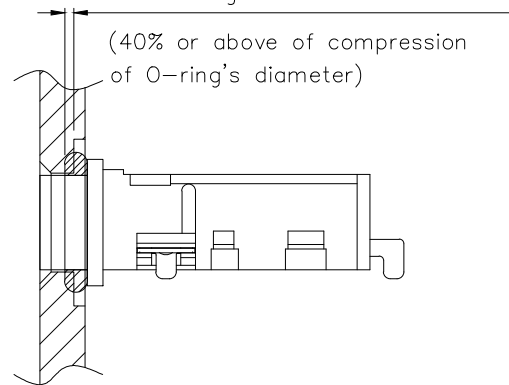


Top View



Interference gap between chassis and O-ring is 0.4 min

(40% or above of compression of O-ring's diameter)



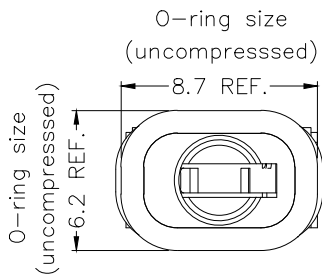
After assembling on chassis

2

2

3

3



4

4



LINKPLEX TECHNOLOGY LIMITED

DESIGN	H.L.TAN	DATE	3-2-2013	SCALE	3:1
DRAWING	Y.J.GUO	DATE	27-1-2024	MATERIAL	*
CHECK	T.Y.LI	DATE	27-1-2024	DWG. NO.	TZ\WP3004-A/3.0
APPROVAL	H.Q.ZHOU	DATE	27-1-2024	SHEET	2/2

PART NAME	WATERPROOF 3.5MM AUDIO JACK	TOLERANCE UNLESS	0.0±0.2	UNIT:	
PART NO.	LWP-3004	OTHERWISE SPECIFIED:	0.00±0.1 0.000±0.05	mm	

F

E

D

C

B

A