

F

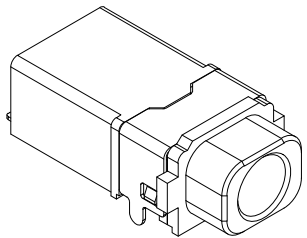
E

D

C

B

A

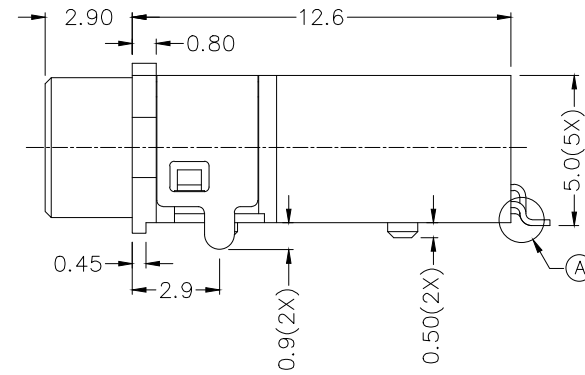
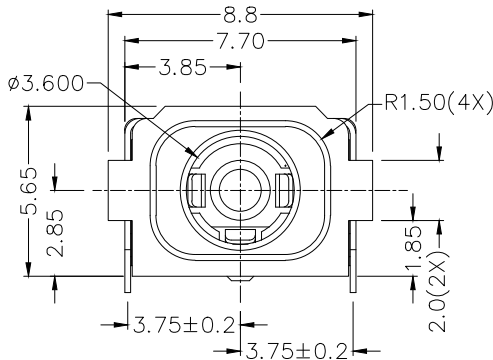
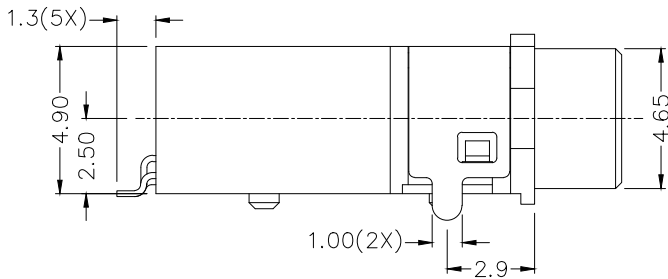


RoHS Compliant

ZONE	SYMBOL	REVISION	APPROVAL	DATE
		ADD ASSEMBLY O-RING DIAGRAM	H.Q.ZHOU	27-1-2024

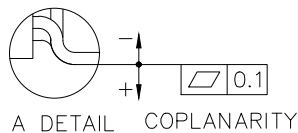
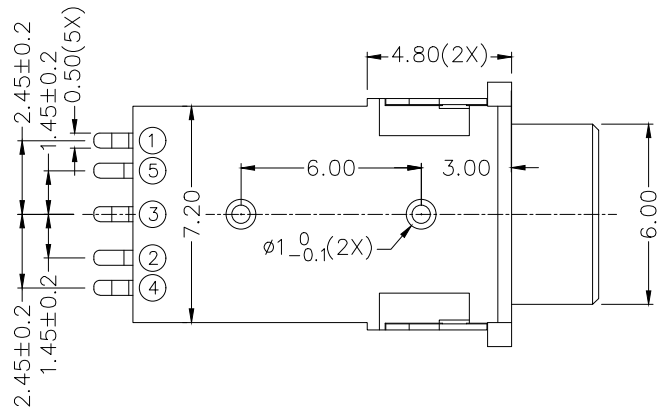
1

1



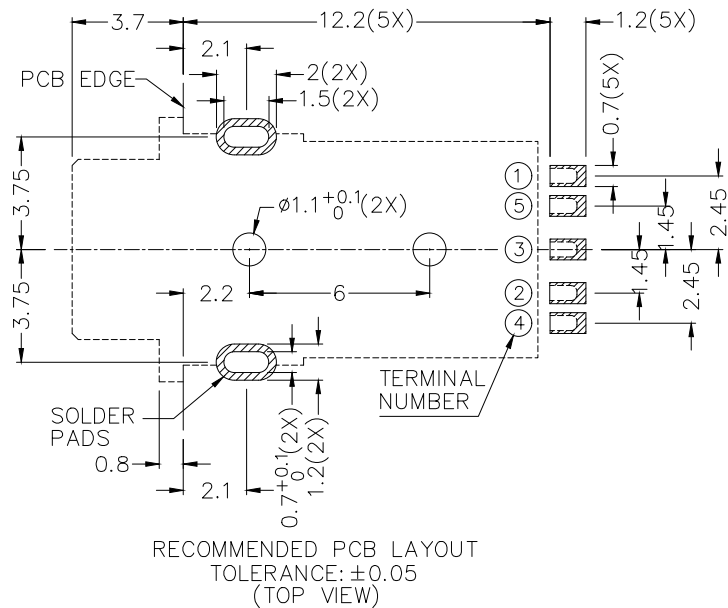
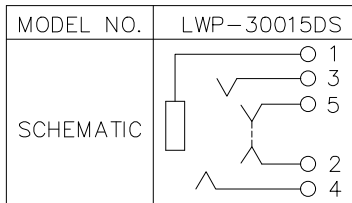
2

2



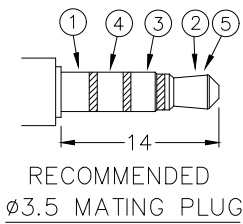
* MATERIAL

- TERMINAL 1 : COPPER ALLOY
- TERMINAL 2 : COPPER ALLOY
- TERMINAL 3 : COPPER ALLOY
- TERMINAL 4 : COPPER ALLOY
- TERMINAL 5 : COPPER ALLOY
- SHIELD : BRASS
- HOUSING : HIGH TEMP. PLASTIC
- COVER : HIGH TEMP. PLASTIC



3

3



RECOMMENDED Ø3.5 MATING PLUG

4

4

LINKPLEX TECHNOLOGY LIMITED

DESIGN	H.L.TAN	DATE	21-5-2012	SCALE	4:1
DRAWING	G.P.YI	DATE	27-1-2024	MATERIAL	*
CHECK	T.Y.LI	DATE	27-1-2024	DWG. NO.	TZ\WP3001DS-A/3.0
APPROVAL	H.Q.ZHOU	DATE	27-1-2024	SHEET	1/2

PART NAME	WATERPROOF 3.5MM AUDIO JACK	TOLERANCE UNLESS	0.0±0.2	UNIT:	mm
PART NO.	LWP-3001DS	OTHERWISE SPECIFIED:	0.00±0.1 0.000±0.05		

F

E

D

C

B

A

F

E

D

C

B

A

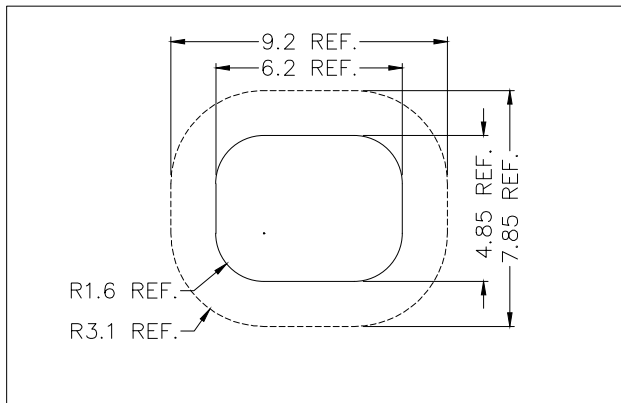


RoHS Compliant

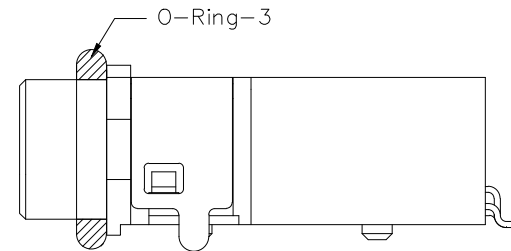
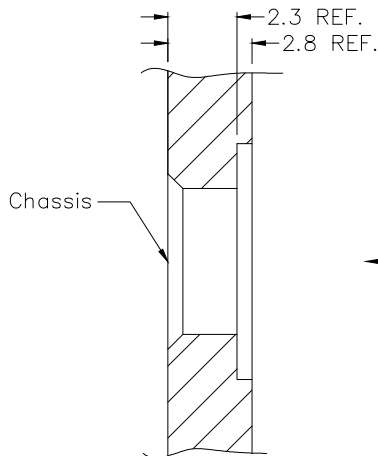
ZONE	SYMBOL	REVISION	APPROVAL	DATE

1

1

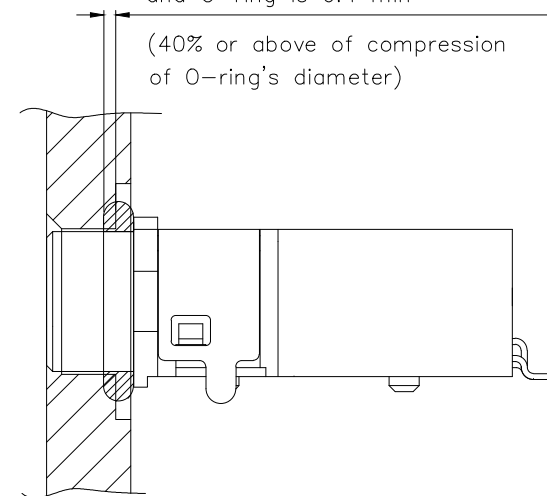


Top View



Interference gap between chassis and O-ring is 0.4 min

(40% or above of compression of O-ring's diameter)



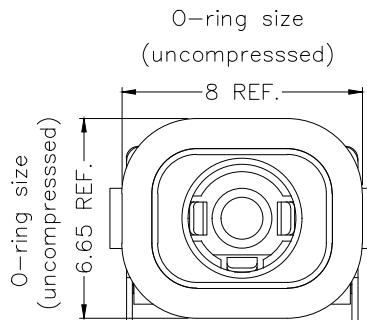
After assembling on chassis

2

2

3

3



4

4



LINKPLEX TECHNOLOGY LIMITED

DESIGN	H.L.TAN	DATE	21-5-2012	SCALE	4:1
DRAWING	G.P.YI	DATE	27-1-2024	MATERIAL	*
CHECK	T.Y.LI	DATE	27-1-2024	DWG. NO.	TZ\WP3001DS-A/3.0
APPROVAL	H.Q.ZHOU	DATE	27-1-2024	SHEET	2/2

PART NAME	WATERPROOF 3.5MM AUDIO JACK	TOLERANCE UNLESS	0.0±0.2	UNIT:	
PART NO.	LWP-3001DS	OTHERWISE SPECIFIED:	0.00±0.1 0.000±0.05	mm	

F

E

D

C

B

A