

F

E

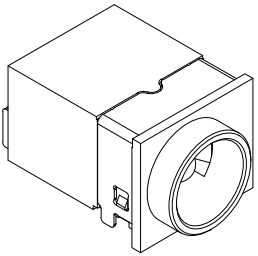
D

C

B

A

ZONE	SYMBOL	REVISION	APPROVAL	DATE
		ADD ASSEMBLY O-RING DIAGRAM	H.Q.ZHOU	27-1-2024



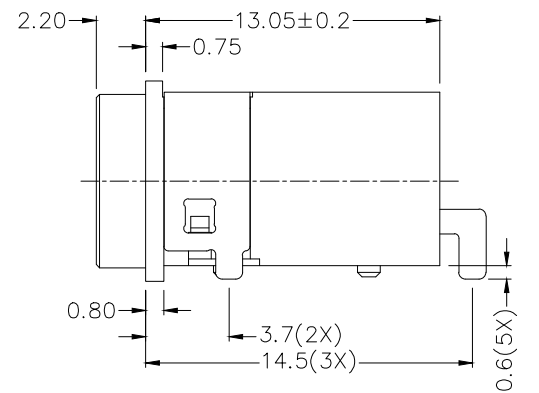
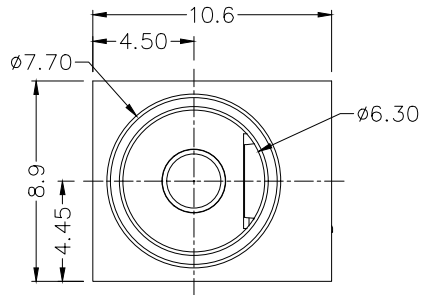
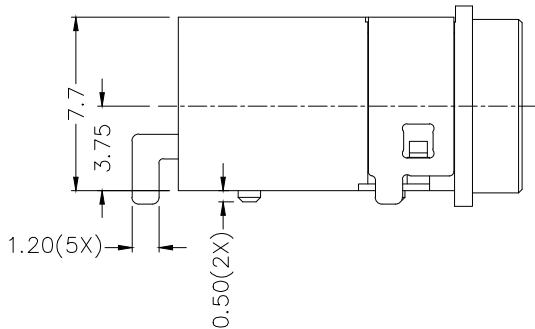
RoHS
Compliant

1

1

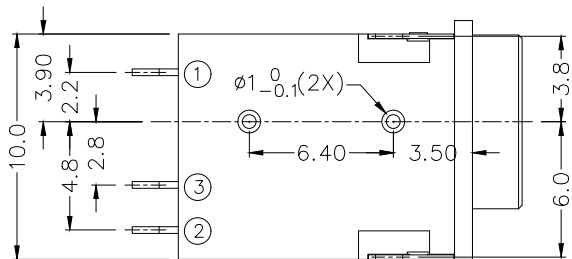
2

2



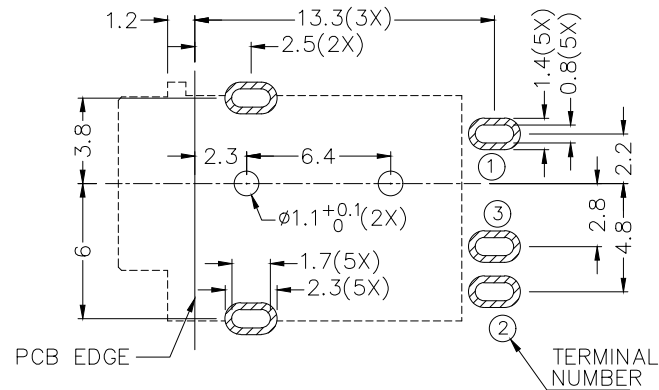
3

3



*** MATERIAL**

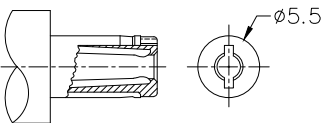
TERMINAL 1 : BRASS
 TERMINAL 2 : COPPER ALLOY
 TERMINAL 3 : BRASS
 SHIELD : BRASS
 HOUSING : HIGH TEMP. PLASTIC
 COVER : HIGH TEMP. PLASTIC



RECOMMENDED PCB LAYOUT
 TOLERANCE: ±0.05
 (TOP VIEW)

4

4



RECOMMENDED
 DC MATING PLUG

MODEL NO.	LWP-1002HS
SCHEMATIC	
CENTER PIN	ø2mm
	ø2.5mm



LINKPLEX TECHNOLOGY LIMITED

PART NAME	WATERPROOF DC POWER JACK	TOLERANCE UNLESS 0.0±0.2 0.00±0.1 OTHERWISE SPECIFIED: 0.000±0.05	UNIT: mm	DESIGN	H.L.TAN	DATE	30-10-2018	SCALE	3:1
				DRAWING	J.H.ZHOU	DATE	27-1-2024	MATERIAL	*
PART NO.	LWP-1002HS			CHECK	T.Y.LI	DATE	27-1-2024	DWG. NO.	TZ\WP1002HS-A/2.0
				APPROVAL	H.Q.ZHOU	DATE	27-1-2024	SHEET	1/2

F

E

D

C

B

A

F

E

D

C

B

A

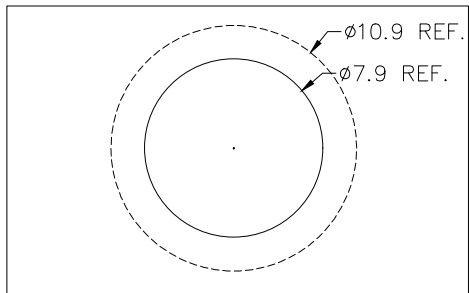


RoHS Compliant

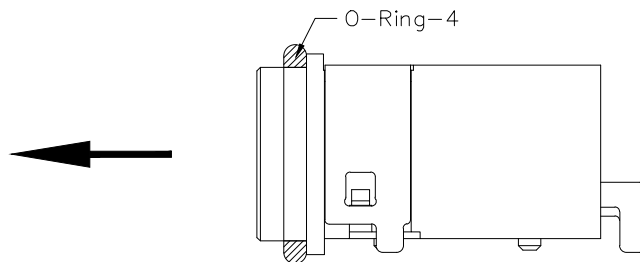
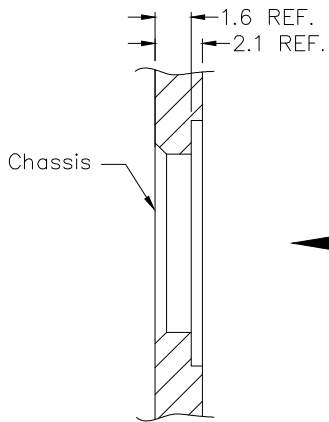
ZONE	SYMBOL	REVISION	APPROVAL	DATE

1

1



Top View



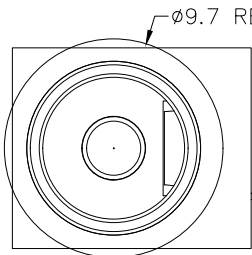
2

2

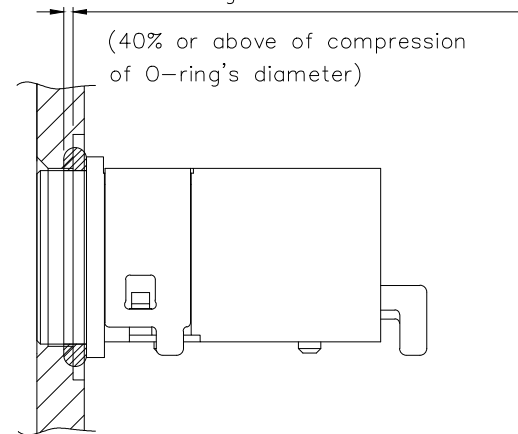
3

3

O-ring size (uncompressed)



Interference gap between chassis and O-ring is 0.4 min



After assembling on chassis

4

4



LINKPLEX TECHNOLOGY LIMITED

DESIGN	H.L.TAN	DATE	30-10-2018	SCALE	3:1
DRAWING	J.H.ZHOU	DATE	27-1-2024	MATERIAL	*
CHECK	T.Y.LI	DATE	27-1-2024	DWG. NO.	TZ\WP1002HS-A/2.0
APPROVAL	H.Q.ZHOU	DATE	27-1-2024	SHEET	2/2

PART NAME	WATERPROOF DC POWER JACK	TOLERANCE UNLESS	0.0±0.2	UNIT:	
PART NO.	LWP-1002HS	OTHERWISE SPECIFIED:	0.00±0.1 0.000±0.05	mm	

F

E

D

C

B

A