

F

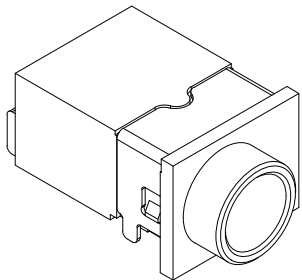
E

D

C

B

A

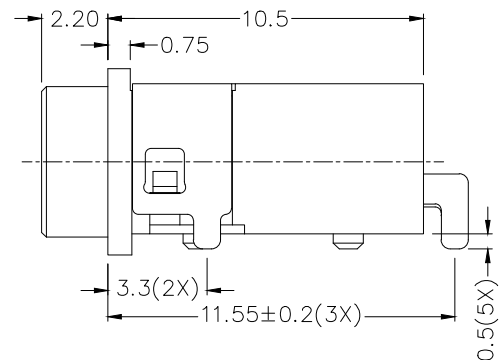
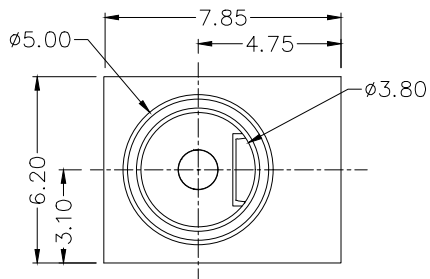
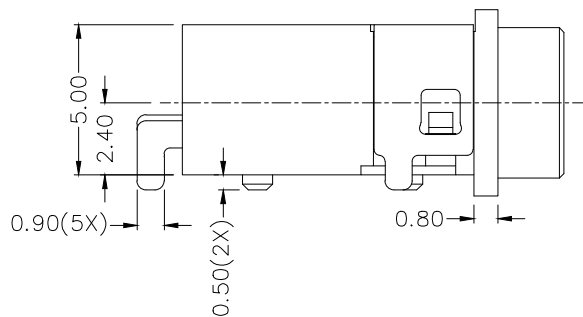


RoHS
Compliant

ZONE	SYMBOL	REVISION	APPROVAL	DATE
		ADD ASSEMBLY O-RING DIAGRAM	H.Q.ZHOU	27-1-2024

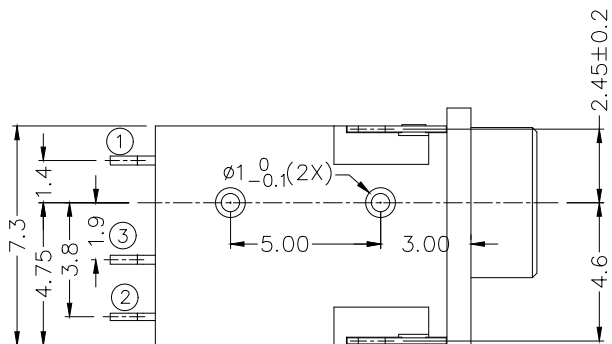
1

1



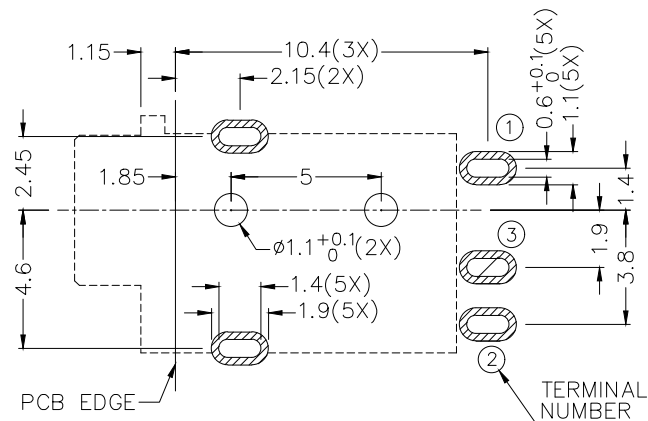
2

2



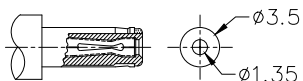
*** MATERIAL**

- TERMINAL 1 : BRASS
- TERMINAL 2 : COPPER ALLOY
- TERMINAL 3 : BRASS
- SHIELD : BRASS
- HOUSING : HIGH TEMP. PLASTIC
- COVER : HIGH TEMP. PLASTIC



3

3



RECOMMENDED
DC MATING PLUG

MODEL NO.	LWP-1001HS
SCHEMATIC	
CENTER PIN	∅1.3mm

RECOMMENDED PCB LAYOUT
TOLERANCE: ±0.05
(TOP VIEW)

4

4

LINKPLEX TECHNOLOGY LIMITED

DESIGN	H.L.TAN	DATE	9-10-2015	SCALE	4:1
DRAWING	J.H.ZHOU	DATE	27-1-2024	MATERIAL	*
CHECK	T.Y.LI	DATE	27-1-2024	DWG. NO.	TZ\WP1001HS-A/3.0
APPROVAL	H.Q.ZHOU	DATE	27-1-2024	SHEET	1/2

PART NAME	WATERPROOF DC POWER JACK	TOLERANCE UNLESS	0.0±0.2	UNIT:	
PART NO.	LWP-1001HS	OTHERWISE SPECIFIED:	0.00±0.1 0.000±0.05	mm	

F

E

D

C

B

A

F

E

D

C

B

A

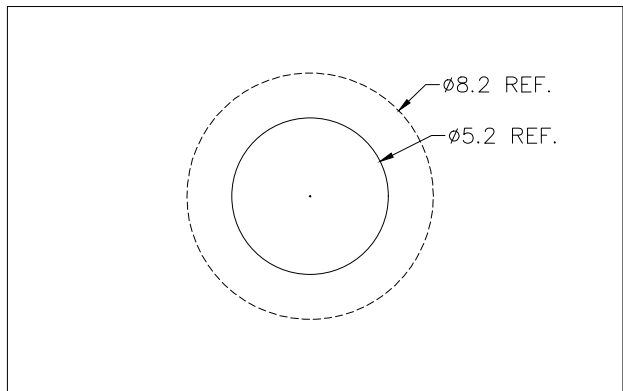


RoHS Compliant

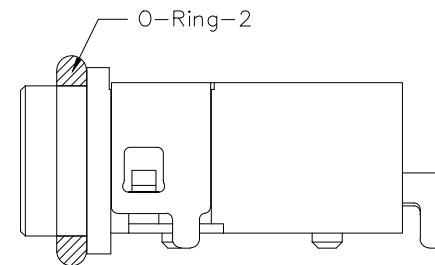
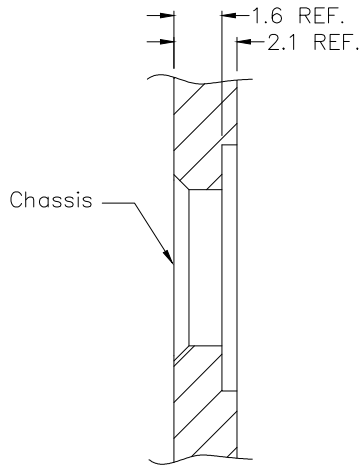
ZONE	SYMBOL	REVISION	APPROVAL	DATE

1

1

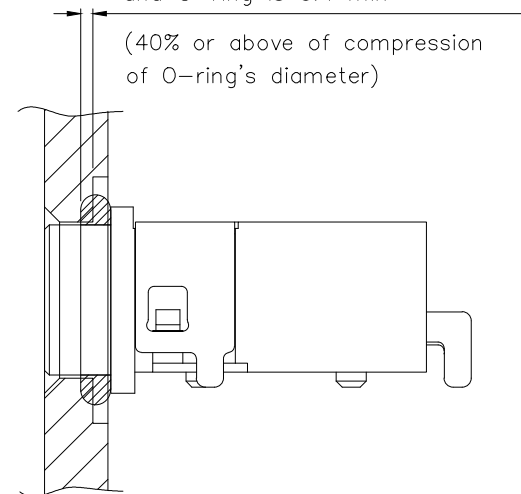


Top View



Interference gap between chassis and O-ring is 0.4 min

(40% or above of compression of O-ring's diameter)



After assembling on chassis

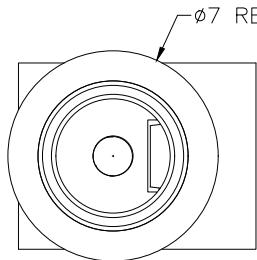
2

2

3

3

O-ring size (uncompressed)



4

4



LINKPLEX TECHNOLOGY LIMITED

DESIGN	H.L.TAN	DATE	9-10-2015	SCALE	4:1
DRAWING	J.H.ZHOU	DATE	27-1-2024	MATERIAL	*
CHECK	T.Y.LI	DATE	27-1-2024	DWG. NO.	TZ\WP1001HS-A/3.0
APPROVAL	H.Q.ZHOU	DATE	27-1-2024	SHEET	2/2

PART NAME	WATERPROOF DC POWER JACK	TOLERANCE UNLESS	0.0±0.2	UNIT:	
PART NO.	LWP-1001HS	OTHERWISE SPECIFIED:	0.00±0.1 0.000±0.05	mm	

F

E

D

C

B

A