

F

E

D

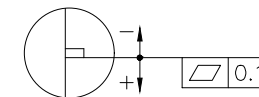
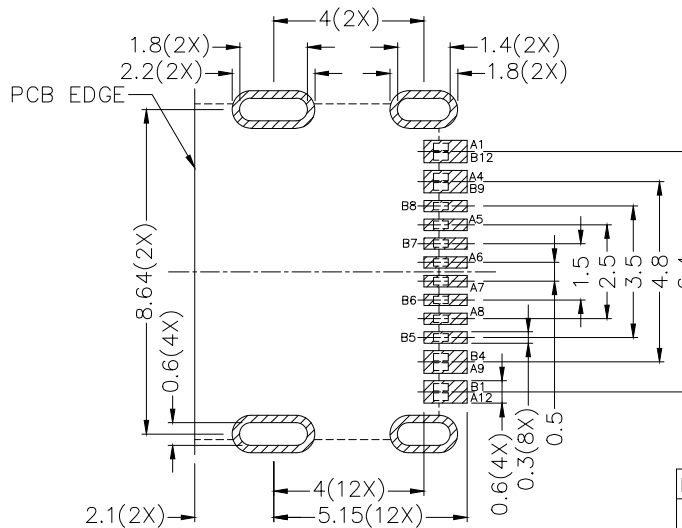
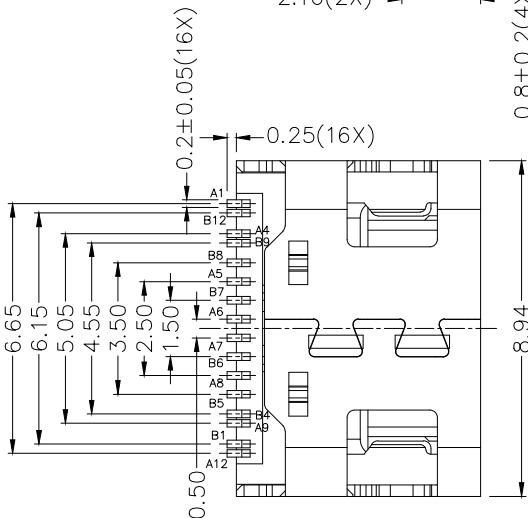
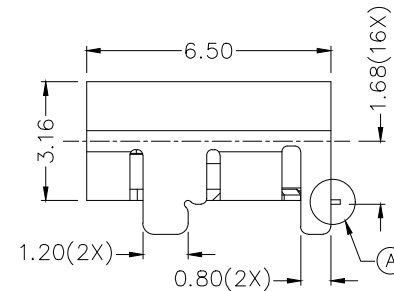
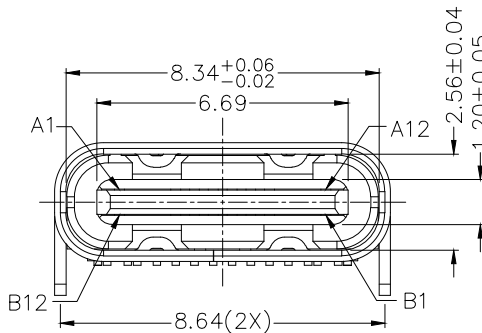
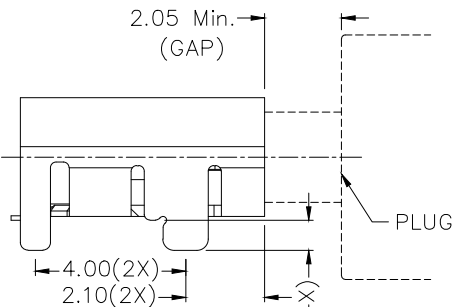
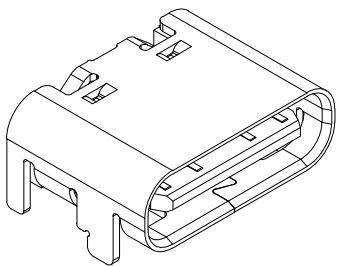
C

B

A

RoHS
Compliant

ZONE	SYMBOL	REVISION	APPROVAL	DATE



A DETAIL COPLANARITY

PIN ASSIGNMENT (FRONT VIEW)

PIN NO.	A1	A4	A5	A6	A7	A8	A9	A12
	GND	Vbus	CC1	D+	D-	SBU1	Vbus	GND
PIN NO.	B12	B9	B8	B7	B6	B5	B4	B1
	GND	Vbus	SBU2	D-	D+	CC2	Vbus	GND

RECOMMENDED PCB LAYOUT
TOLERANCE: ±0.05
(TOP VIEW)

DESCRIPTION	MATERIAL	PLATING
CONTACT	COPPER ALLOY	NICKEL PLATED ON ALL AREA, Au 3u" MIN ON CONTACT AREA, Au 1u" MIN ON SOLDER AREA
SHELL	STAINLESS STEEL	NICKEL(Ni)
MIDDLE PLATE	STAINLESS STEEL	
INSULATOR	HIGH TEMP. PLASTIC	COLOR:BLACK



LINKPLEX TECHNOLOGY LIMITED

PART NAME USB 2.0 TYPE-C (16PIN) CONNECTOR
PART NO. LUB-C124D

TOLERANCE UNLESS 0.0±0.3
0.00±0.25
OTHERWISE SPECIFIED: 0.000±0.1

UNIT: mm

DESIGN	H.L.TAN	DATE	10-5-2015	SCALE	5:1
DRAWING	J.H.ZHOU	DATE	11-11-2023	MATERIAL	
CHECK	T.Y.LI	DATE	11-11-2023	DWG. NO.	TZ\UBC124D-A/1.0
APPROVAL	H.Q.ZHOU	DATE	11-11-2023	SHEET	1/1

F

E

D

C

B

A