

F

E

D

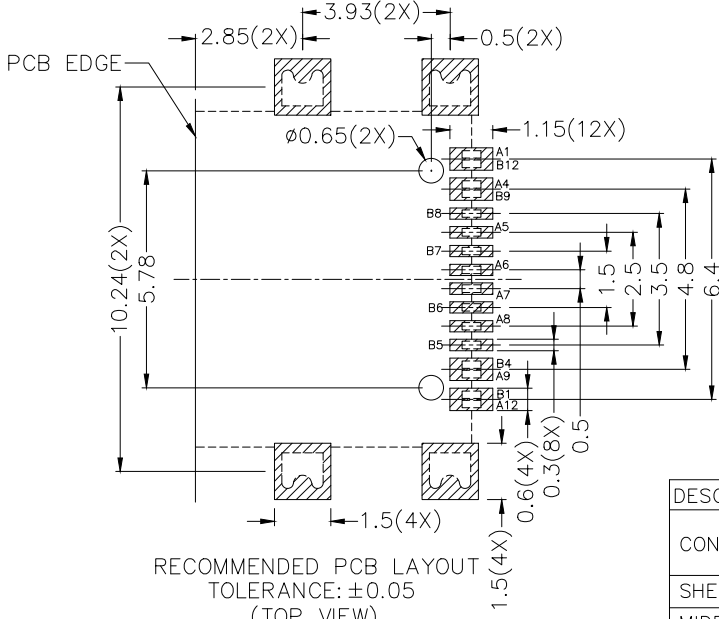
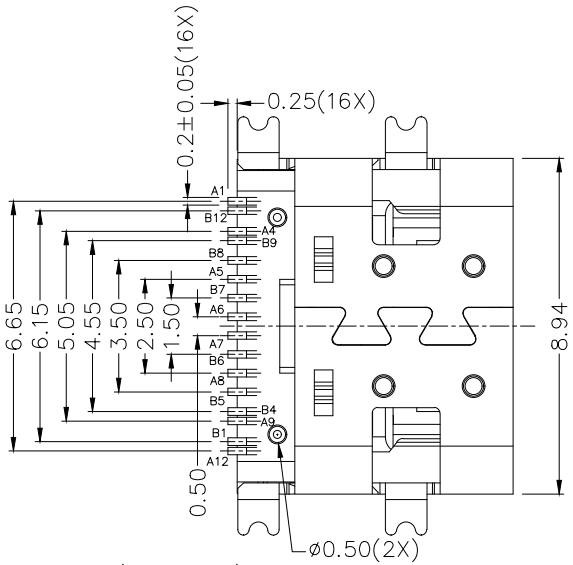
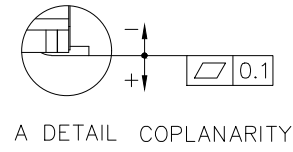
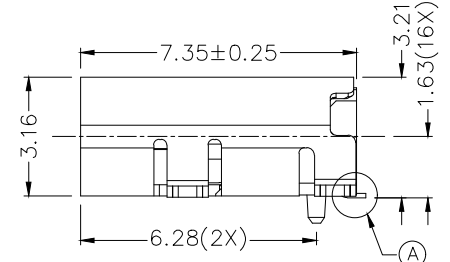
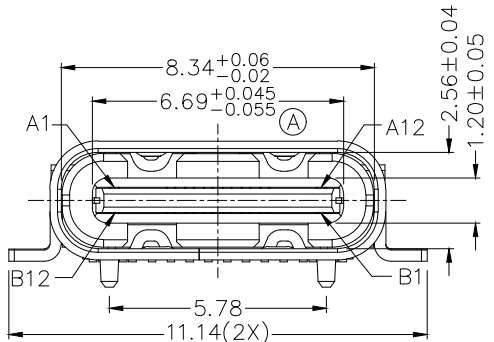
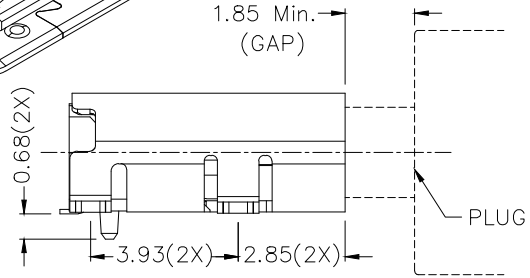
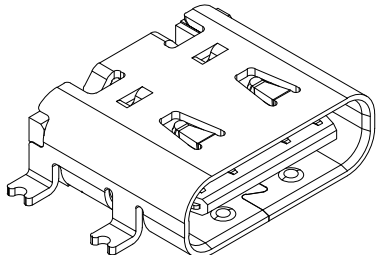
C

B

A

RoHS
Compliant

ZONE	SYMBOL	REVISION	APPROVAL	DATE
C1	(A)	6.69 ^{+0.045} / _{+0.055} MODIFY TO 6.69 ^{+0.045} / _{-0.055}	H.Q.ZHOU	18-11-2023



RECOMMENDED PCB LAYOUT
TOLERANCE: ±0.05
(TOP VIEW)

PIN ASSIGNMENT (FRONT VIEW)

PIN NO.	A1	A4	A5	A6	A7	A8	A9	A12
	GND	Vbus	CC1	D+	D-	SBU1	Vbus	GND
PIN NO.	B12	B9	B8	B7	B6	B5	B4	B1
	GND	Vbus	SBU2	D-	D+	CC2	Vbus	GND

DESCRIPTION	MATERIAL	PLATING
CONTACT	COPPER ALLOY	NICKEL PLATED ON ALL AREA, Au 3u" MIN ON CONTACT AREA, GOLD FLASH ON SOLDER AREA
SHELL	STAINLESS STEEL	NICKEL(Ni)
MIDDLE PLATE	STAINLESS STEEL	
INSULATOR	HIGH TEMP. PLASTIC	COLOR: BLACK

LINKPLEX TECHNOLOGY LIMITED

DESIGN	H.L.TAN	DATE	22-5-2019	SCALE	5:1
DRAWING	J.H.ZHOU	DATE	18-11-2023	MATERIAL	
CHECK	T.Y.LI	DATE	18-11-2023	DWG. NO.	TZ\UBC123D-A/1.1
APPROVAL	H.Q.ZHOU	DATE	18-11-2023	SHEET	1/1

PART NAME	USB 2.0 TYPE-C (16PIN) CONNECTOR	TOLERANCE UNLESS	0.0±0.3	UNIT:	
PART NO.	LUB-C123D	OTHERWISE SPECIFIED:	0.00±0.2 0.000±0.1	mm	

F

E

D

C

B

A