

F

E

D

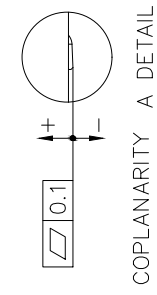
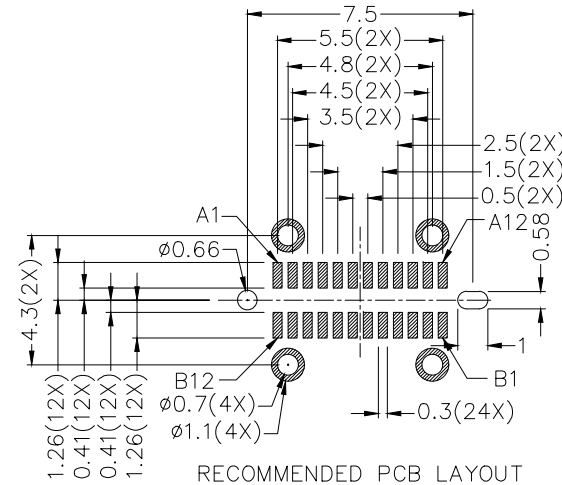
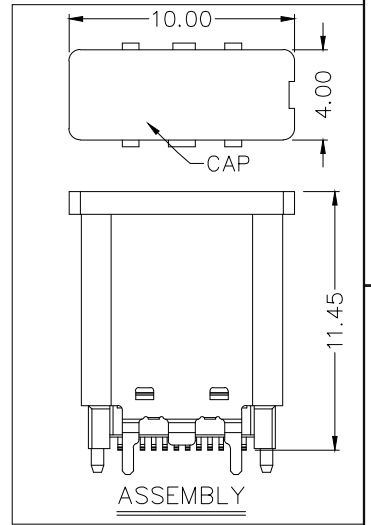
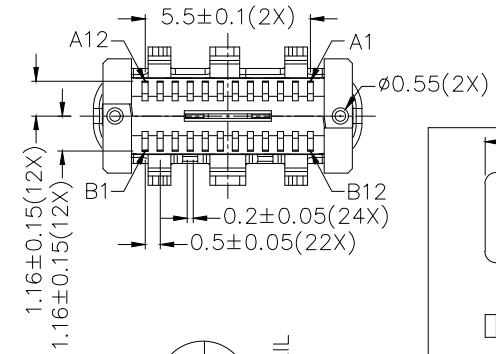
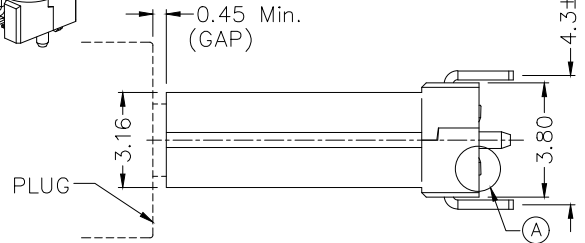
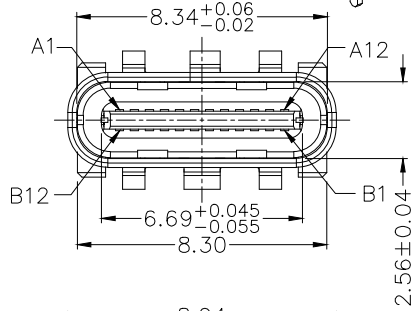
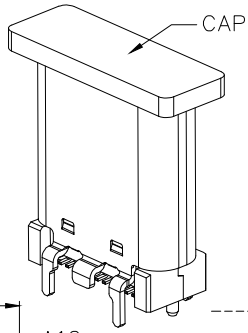
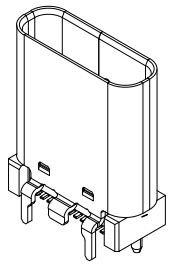
C

B

A

| ZONE | SYMBOL | REVISION | APPROVAL | DATE |
|------|--------|----------|----------|------|
| | | | | |
| | | | | |
| | | | | |

RoHS
Compliant



PIN ASSIGNMENT (FRONT VIEW)

| | | | | | | | | | | | | |
|---------|-----|------|------|------|------|----|----|------|------|------|------|-----|
| PIN NO. | A1 | A2 | A3 | A4 | A5 | A6 | A7 | A8 | A9 | A10 | A11 | A12 |
| | GND | TX1+ | TX1- | Vbus | CC1 | D+ | D- | SBU1 | Vbus | RX2- | RX2+ | GND |
| PIN NO. | B12 | B11 | B10 | B9 | B8 | B7 | B6 | B5 | B4 | B3 | B2 | B1 |
| | GND | RX1+ | RX1- | Vbus | SBU2 | D- | D+ | CC2 | Vbus | TX2- | TX2+ | GND |

RECOMMENDED PCB LAYOUT
TOLERANCE: ±0.05
(TOP VIEW)

| DESCRIPTION | MATERIAL | PLATING |
|--------------|--------------------|--|
| CONTACT | COPPER ALLOY | NICKEL PLATED ON ALL AREA, Au 3u" MIN ON CONTACT AREA, TIN PLATED ON SOLDER AREA |
| SHELL | STAINLESS STEEL | NICKEL(Ni) |
| INNER GROUND | STAINLESS STEEL | |
| COVER SHELL | STAINLESS STEEL | |
| MIDDLE PLATE | STAINLESS STEEL | |
| INSULATOR | HIGH TEMP. PLASTIC | COLOR: BLACK |
| CAP | HIGH TEMP. PLASTIC | COLOR: BLACK |

LINKPLEX TECHNOLOGY LIMITED

| | | | | | |
|----------|----------|------|------------|----------|------------------|
| DESIGN | H.L.TAN | DATE | 21-11-2019 | SCALE | 4:1 |
| DRAWING | J.Q.ZHOU | DATE | 3-10-2023 | MATERIAL | |
| CHECK | T.Y.LI | DATE | 3-10-2023 | DWG. NO. | TZ\UBC121D-A/1.0 |
| APPROVAL | H.Q.ZHOU | DATE | 3-10-2023 | SHEET | 1/1 |

| | | | | | |
|-----------|----------------------------------|----------------------|------------------------|-------|----|
| PART NAME | USB 3.2 TYPE-C (24PIN) CONNECTOR | TOLERANCE UNLESS | 0.0±0.3 | UNIT: | mm |
| PART NO. | LUB-C121D | OTHERWISE SPECIFIED: | 0.00±0.25 0.000±0.1 | | |

F

E

D

C

B

A