

F

E

D

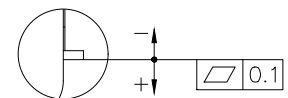
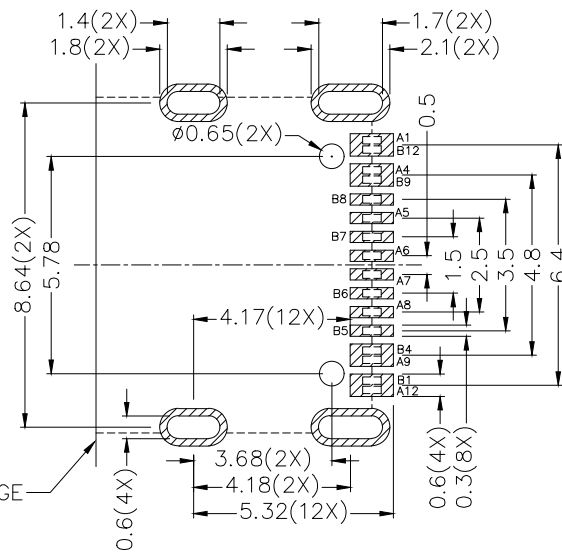
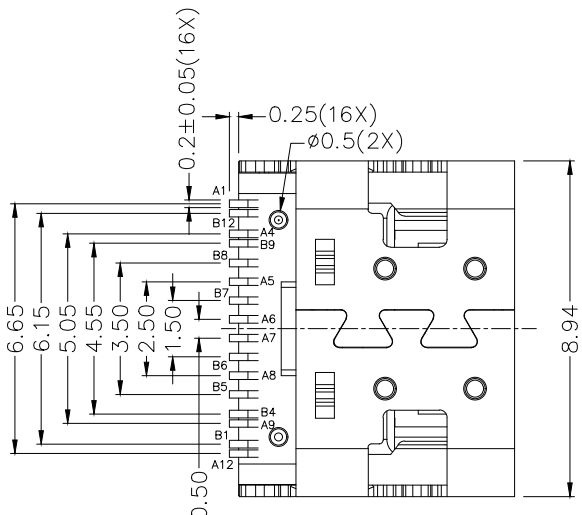
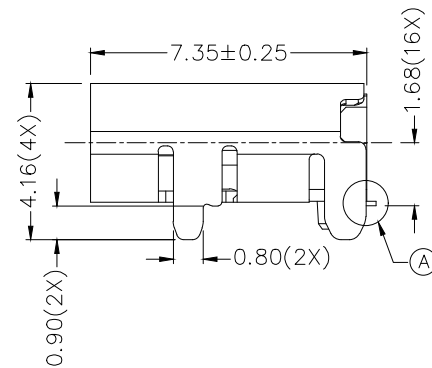
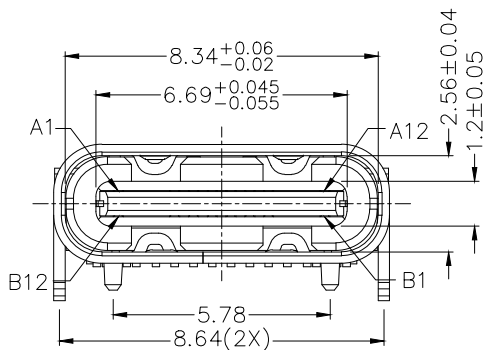
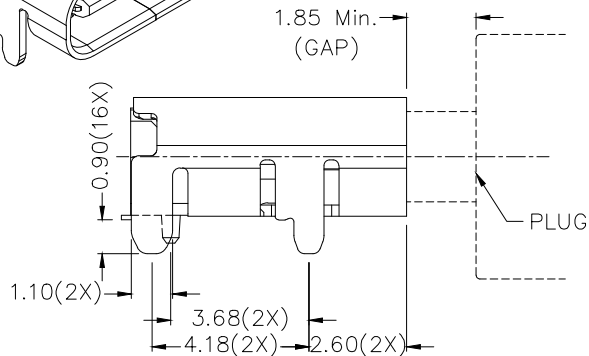
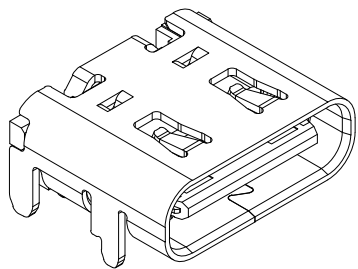
C

B

A

RoHS
Compliant

ZONE	SYMBOL	REVISION	APPROVAL	DATE



A DETAIL COPLANARITY

PIN NO. A1	A4	A5	A6	A7	A8	A9	A12
GND	Vbus	CC1	D+	D-	SBU1	Vbus	GND
PIN NO. B12	B9	B8	B7	B6	B5	B4	B1
GND	Vbus	SBU2	D-	D+	CC2	Vbus	GND

RECOMMENDED PCB LAYOUT
TOLERANCE: ±0.05
(TOP VIEW)

DESCRIPTION	MATERIAL	PLATING
CONTACT	COPPER ALLOY	NICKEL PLATED ON ALL AREA, Au 3u" MIN ON CONTACT AREA, GOLD FLASH ON SOLDER AREA
SHELL	STAINLESS STEEL	NICKEL(Ni)
MIDDLE PLATE	STAINLESS STEEL	
INSULATOR	HIGH TEMP. PLASTIC	COLOR:BLACK

LINKPLEX TECHNOLOGY LIMITED

DESIGN	H.L.TAN	DATE	1-10-2019	SCALE	5:1
DRAWING	J.H.ZHOU	DATE	3-10-2023	MATERIAL	
CHECK	T.Y.LI	DATE	3-10-2023	DWG. NO.	TZ\UBC117D-A/1.0
APPROVAL	H.Q.ZHOU	DATE	3-10-2023	SHEET	1/1

PART NAME USB 2.0 TYPE-C (16PIN) CONNECTOR
PART NO. LUB-C117D

TOLERANCE UNLESS 0.0±0.3
0.00±0.25
OTHERWISE SPECIFIED: 0.000±0.1
UNIT: mm

F

E

D

C

B

A