

F

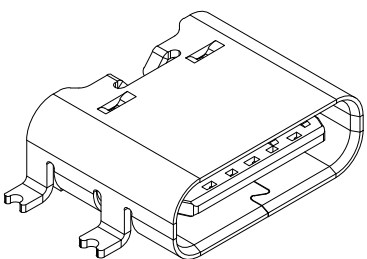
E

D

C

B

A

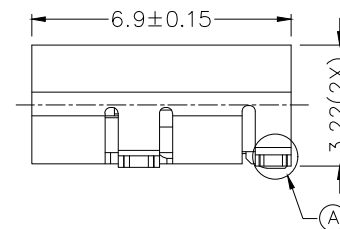
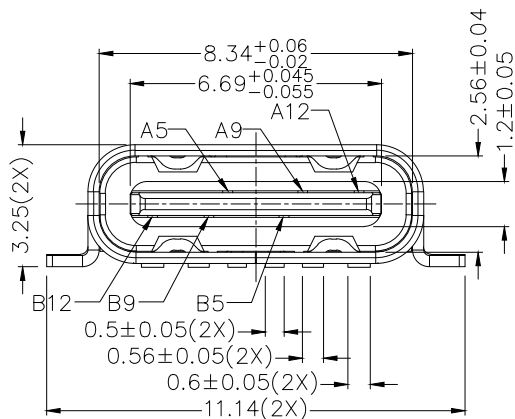
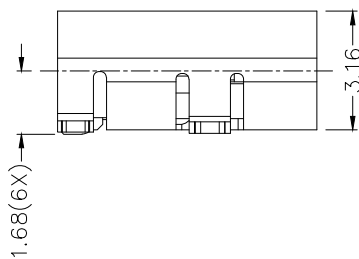


RoHS
Compliant

ZONE	SYMBOL	REVISION	APPROVAL	DATE

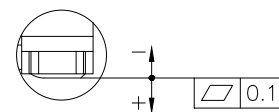
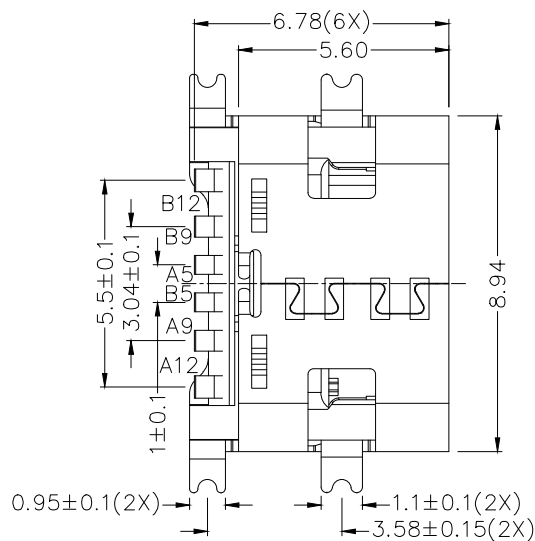
1

1



2

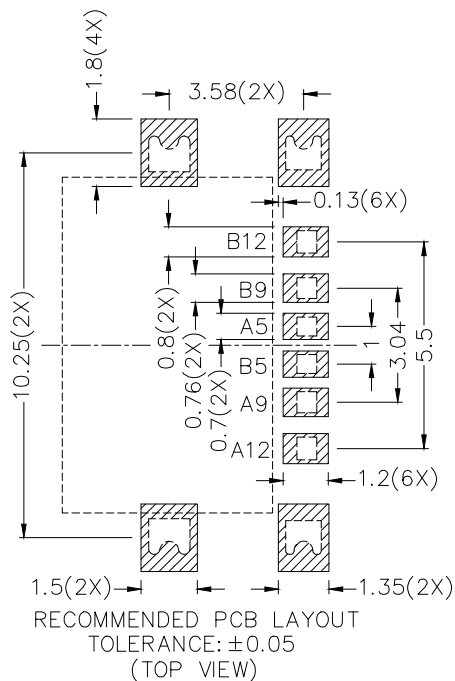
2



A DETAIL COPLANARITY

3

3



DESCRIPTION	MATERIAL	PLATING
CONTACT	COPPER ALLOY	NICKEL PLATED ON ALL AREA, Au 1u" MIN ON CONTACT AREA, GOLD FLASH ON SOLDER AREA
SHELL	STAINLESS STEEL	NICKEL(Ni)
MIDDLE PLATE	STAINLESS STEEL	
INSULATOR	HIGH TEMP. PLASTIC	COLOR:BLACK

PIN NO.	A5	A9	A12
	CC1	Vbus	GND

PIN NO.	B12	B9	B5
	GND	Vbus	CC2

4

4



LINKPLEX TECHNOLOGY LIMITED

DESIGN	H.L.TAN	DATE	29-10-2021	SCALE	5:1
DRAWING	J.H.ZHOU	DATE	3-10-2023	MATERIAL	
CHECK	T.Y.LI	DATE	3-10-2023	DWG. NO.	TZ\UBC115D-A/1.0
APPROVAL	H.Q.ZHOU	DATE	3-10-2023	SHEET	1/1

PART NAME	USB TYPE-C (6PIN) CONNECTOR	TOLERANCE UNLESS	0.0±0.3 0.00±0.2	UNIT:	mm
PART NO.	LUB-C115D	OTHERWISE SPECIFIED:	0.000±0.1		

F

E

D

C

B

A