

F

E

D

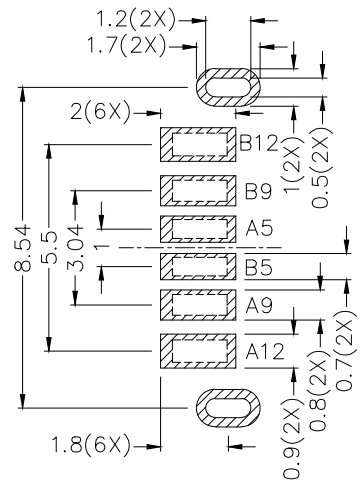
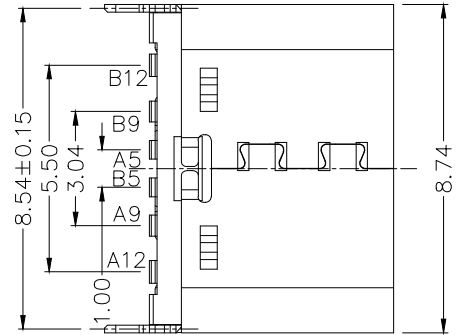
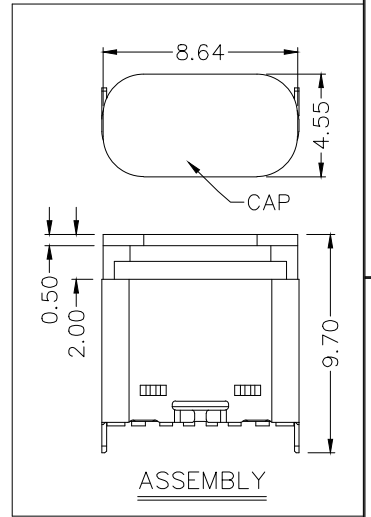
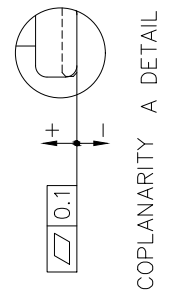
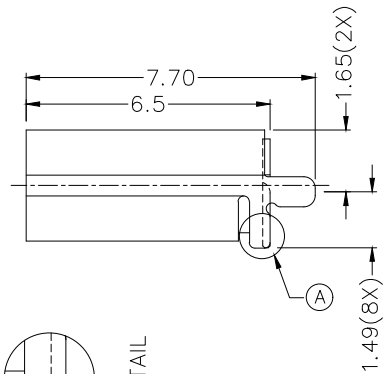
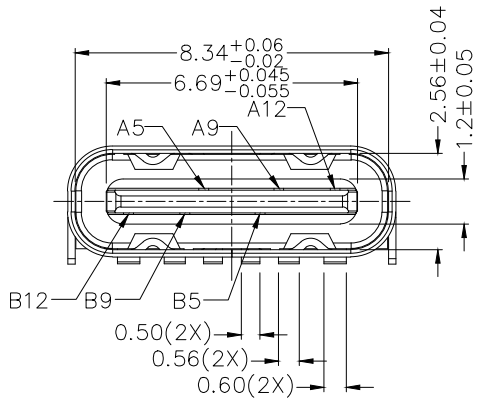
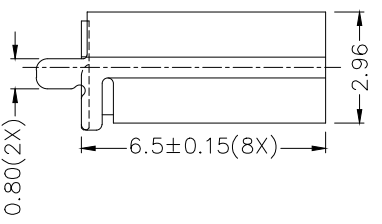
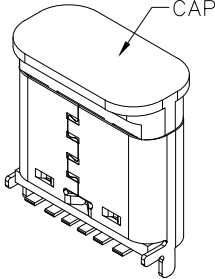
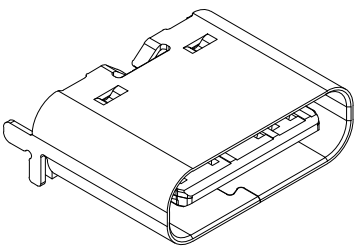
C

B

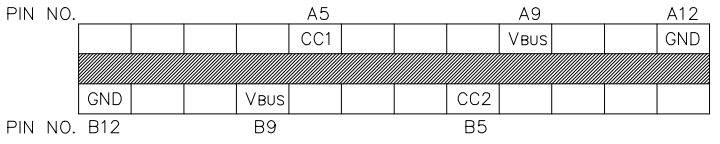
A

| ZONE | SYMBOL | REVISION | APPROVAL | DATE |
|------|--------|----------|----------|------|
| | | | | |
| | | | | |
| | | | | |

RoHS
Compliant



RECOMMENDED PCB LAYOUT
TOLERANCE: ±0.05
(TOP VIEW)



| DESCRIPTION | MATERIAL | PLATING |
|--------------|--------------------|--|
| CONTACT | COPPER ALLOY | NICKEL PLATED ON ALL AREA, Au 1u" MIN ON CONTACT AREA, GOLD FLASH ON SOLDER AREA |
| SHELL | STAINLESS STEEL | NICKEL(Ni) |
| MIDDLE PLATE | STAINLESS STEEL | |
| INSULATOR | HIGH TEMP. PLASTIC | COLOR:BLACK |
| CAP | HIGH TEMP. PLASTIC | COLOR:BLACK |

LINKPLEX TECHNOLOGY LIMITED

| | | | | | |
|-----------|-----------------------------|----------------------|------------------------|-------|----|
| PART NAME | USB TYPE-C (6PIN) CONNECTOR | TOLERANCE UNLESS | 0.0±0.3 | UNIT: | mm |
| PART NO. | LUB-C114D | OTHERWISE SPECIFIED: | 0.00±0.25 0.000±0.1 | | |

| | | | | | |
|----------|----------|------|-----------|----------|------------------|
| DESIGN | H.L.TAN | DATE | 5-30-2019 | SCALE | 5:1 |
| DRAWING | J.H.ZHOU | DATE | 3-10-2023 | MATERIAL | |
| CHECK | T.Y.LI | DATE | 3-10-2023 | DWG. NO. | TZ\UBC114D-A/1.0 |
| APPROVAL | H.Q.ZHOU | DATE | 3-10-2023 | SHEET | 1/1 |

F

E

D

C

B

A