

F

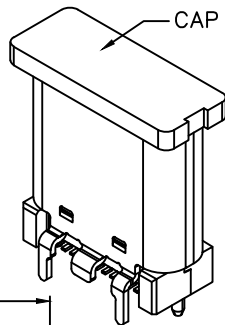
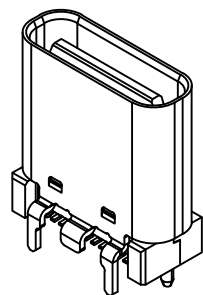
E

D

C

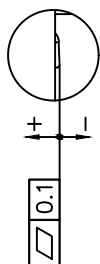
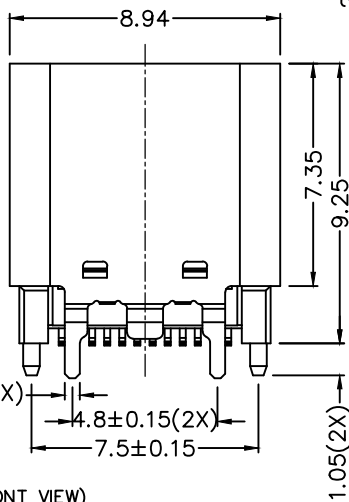
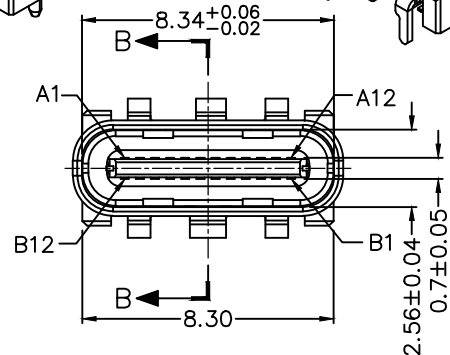
B

A

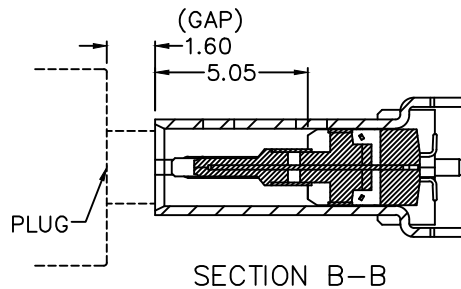
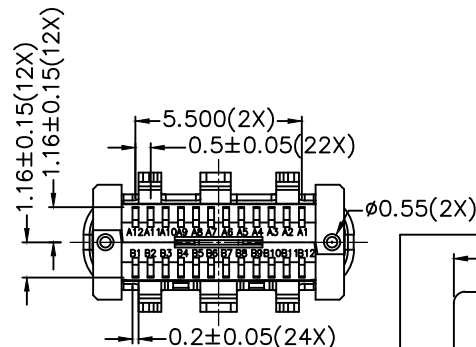
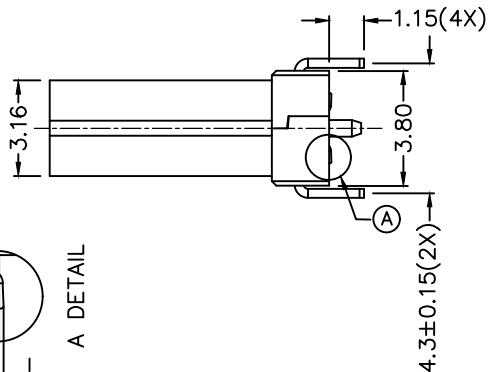


RoHS Compliant

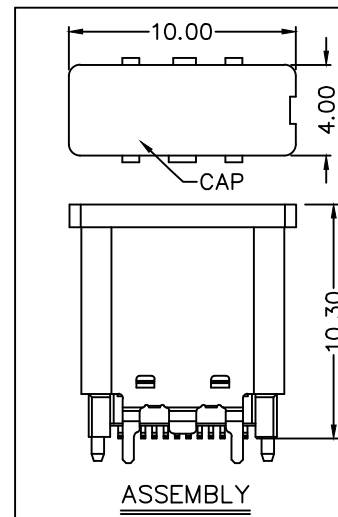
ZONE	SYMBOL	REVISION	APPROVAL	DATE
		STANDARDIZE DIAGRAM AND DIMENSION	H.Q.ZHOU	7-5-2026



COPPLANARITY A DETAIL



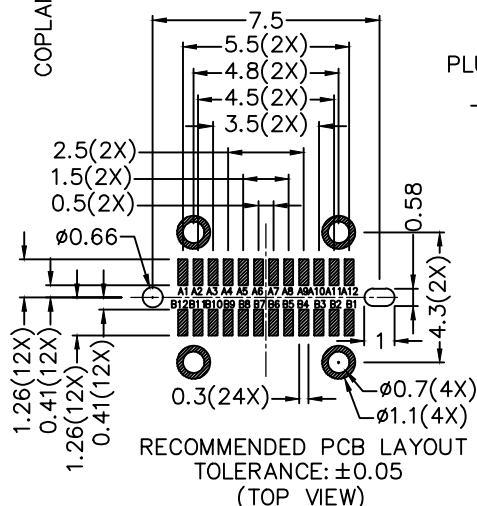
SECTION B-B



ASSEMBLY

PIN ASSIGNMENT (FRONT VIEW)

PIN NO.	A1	A2	A3	A4	A5	A6	A7	A8	A9	A10	A11	A12
	GND	TX1+	TX1-	Vbus	CC1	D+	D-	SBU1	Vbus	RX2-	RX2+	GND
PIN NO.	B12	B11	B10	B9	B8	B7	B6	B5	B4	B3	B2	B1
	GND	RX1+	RX1-	Vbus	SBU2	D-	D+	CC2	Vbus	TX2-	TX2+	GND



RECOMMENDED PCB LAYOUT TOLERANCE: ±0.05 (TOP VIEW)

DESCRIPTION	MATERIAL	PLATING
CONTACT	COPPER ALLOY	NICKEL PLATED ON ALL AREA, GOLD PLATED ON CONTACT AREA, TIN PLATED MIN ON SOLDER AREA
SHELL	STAINLESS STEEL	NICKEL(Ni)
INNER GROUND COVER SHELL	STAINLESS STEEL	
MIDDLE PLATE	STAINLESS STEEL	
INSULATOR	HIGH TEMP. PLASTIC	COLOR: BLACK
CAP	HIGH TEMP. PLASTIC	COLOR: BLACK



LINKPLEX TECHNOLOGY LIMITED

DESIGN	H.L.TAN	DATE	16-8-2023	SCALE	4:1
DRAWING	J.Q.ZHOU	DATE	7-5-2026	MATERIAL	
CHECK	T.Y.LI	DATE	7-5-2026	DWG. NO.	TZ\UBC110D-A/2.0
APPROVAL	H.Q.ZHOU	DATE	7-5-2026	SHEET	1/1

PART NAME	USB 3.2 TYPE-C (24PIN) CONNECTOR	TOLERANCE UNLESS	0.0±0.3	UNIT:	mm
PART NO.	LUB-C110D	OTHERWISE SPECIFIED:	0.00±0.25 0.000±0.1		

F

E

D

C

B

A