

F

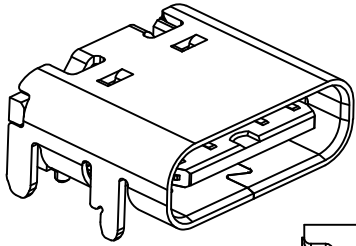
E

D

C

B

A

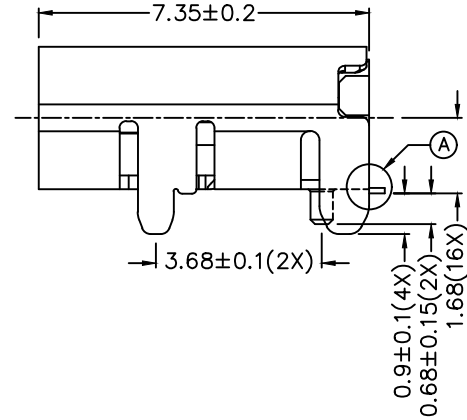
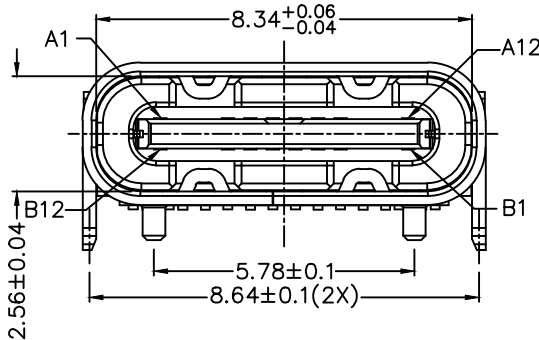
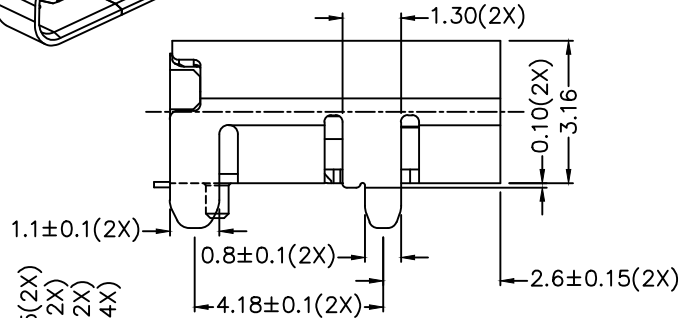


RoHS Compliant

ZONE	SYMBOL	REVISION	APPROVAL	DATE
		CHANGE PRODUCT NUMBER	H.Q.ZHOU	17-9-2023

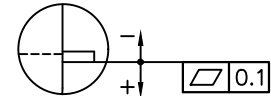
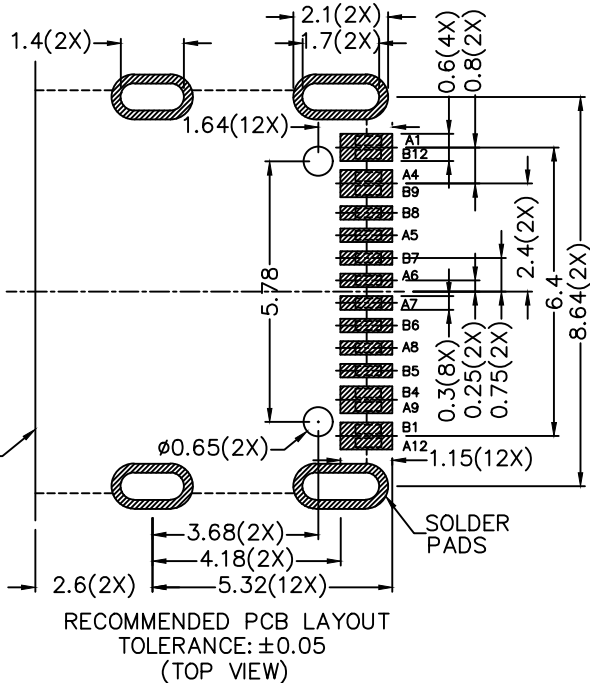
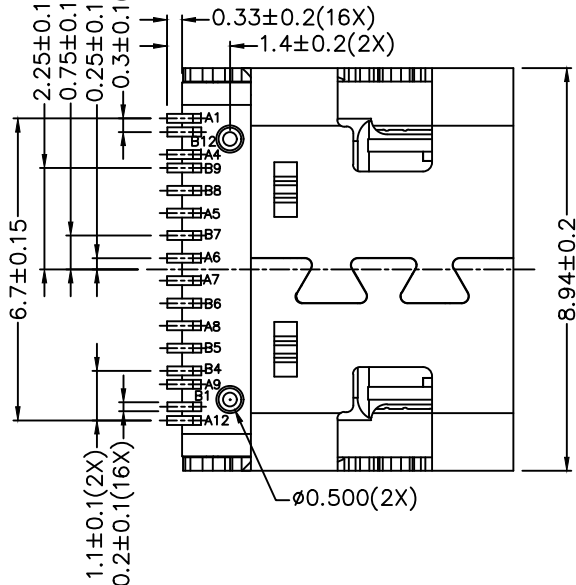
1

1



2

2



A DETAIL COPLANARITY

3

3

PIN ASSIGNMENT (FRONT VIEW)

PIN NO. A1	A4	A5	A6	A7	A8	A9	A12
GND	Vbus	CC1	D+	D-	SBU1	Vbus	GND
PIN NO. B12	B9	B8	B7	B6	B5	B4	B1
GND	Vbus	SBU2	D-	D+	CC2	Vbus	GND

DESCRIPTION	MATERIAL	PLATING
TERMINAL-A	COPPER ALLOY	NICKEL(Ni) ON ALL AREA, Au 1u" MIN ON CONTACT AREA, Au 0.8u" MIN ON SOLDER AREA
TERMINAL-B	COPPER ALLOY	NICKEL(Ni) ON ALL AREA, Au 1u" MIN ON CONTACT AREA, Au 0.8u" MIN ON SOLDER AREA
SHELL	STAINLESS STEEL	NICKEL(Ni)
MIDDLE PLATE	STAINLESS STEEL	
INSULATOR	HIGH TEMP. PLASTIC	COLOR: BLACK

4

4

LINKPLEX TECHNOLOGY LIMITED

DESIGN	H.L.TAN	DATE	22-12-2020	SCALE	6:1
DRAWING	J.Q.ZHOU	DATE	17-9-2023	MATERIAL	
CHECK	T.Y.LI	DATE	17-9-2023	DWG. NO.	TZ\UBC107D-A/1.2
APPROVAL	H.Q.ZHOU	DATE	17-9-2023	SHEET	1/1

PART NAME USB 2.0 TYPE-C CONNECTOR
 PART NO. LUB-C107D

TOLERANCE UNLESS 0.0±0.25
 0.00±0.13
 OTHERWISE SPECIFIED: 0.000±0.05 mm

F

E

D

C

B

A