

F

E

D

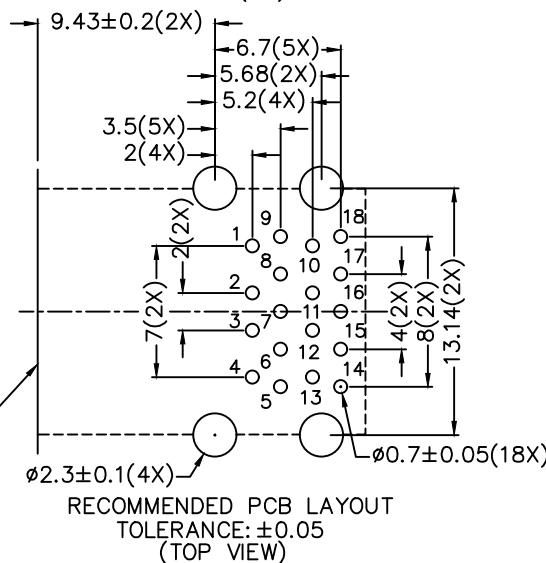
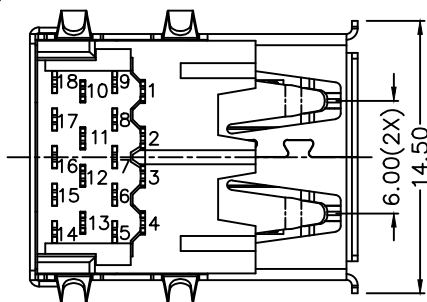
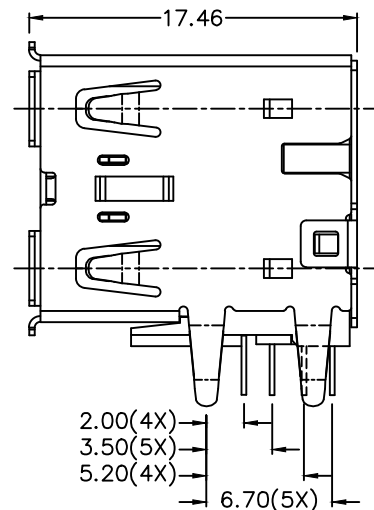
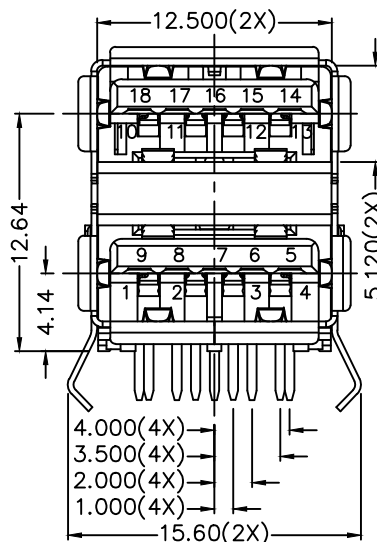
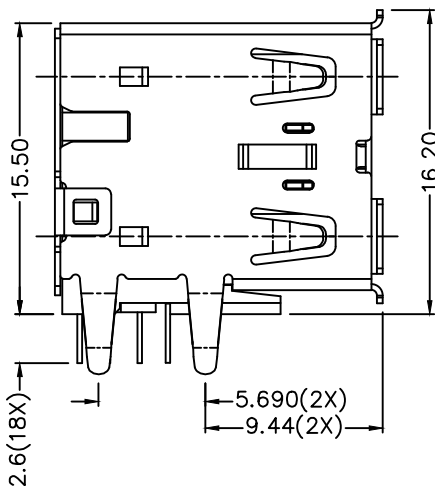
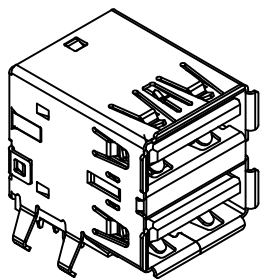
C

B

A

RoHS  
Compliant

ZONE	SYMBOL	REVISION	APPROVAL	DATE
		CHANGE PRODUCT NUMBER	H.Q.ZHOU	17-9-2023

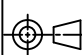


PIN NO.	SIGNAL NAME	PIN NO.	SIGNAL NAME	PIN NO.	SIGNAL NAME	PIN NO.	SIGNAL NAME
1	Vbus	5	SSRX-	10	Vbus	14	SSRX-
2	D-	6	SSRX+	11	D-	15	SSRX+
3	D+	7	GND	12	D+	16	GND
4	GND	8	SSTX-	13	GND	17	SSTX-
SHELL	SHIELD	9	SSTX+			18	SSTX+

DESCRIPTION	MATERIAL	PLATING
TERMINAL-A	COPPER ALLOY	NICKEL PLATED ON ALL AREA, GOLD FLASH ON CONTACT AREA, Sn 100u" MIN ON SOLDER AREA
TERMINAL-B	BRASS	NICKEL PLATED ON ALL AREA, GOLD FLASH ON CONTACT AREA, Sn 100u" MIN ON SOLDER AREA
SHELL	BRASS	NICKEL(Ni)
PLASTIC	THERMOPLASTIC	COLOR:BLUE

 LINKPLEX TECHNOLOGY LIMITED

DESIGN	H.L.TAN	DATE	24-12-2019	SCALE	2.5:1
DRAWING	J.Q.ZHOU	DATE	17-9-2023	MATERIAL	
CHECK	T.Y.LI	DATE	17-9-2023	DWG. NO.	TZ\UB3007-B/1.1
APPROVAL	H.Q.ZHOU	DATE	17-9-2023	SHEET	1/1

PART NAME	USB 3.2 GEN1 A TYPE CONNECTOR	TOLERANCE UNLESS	0.0±0.3	UNIT:	
PART NO.	LUB-3007	OTHERWISE SPECIFIED:	0.00±0.2 0.000±0.1	mm	

F

E

D

C

B

A