

F

E

D

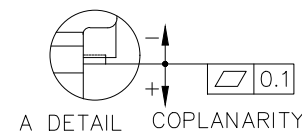
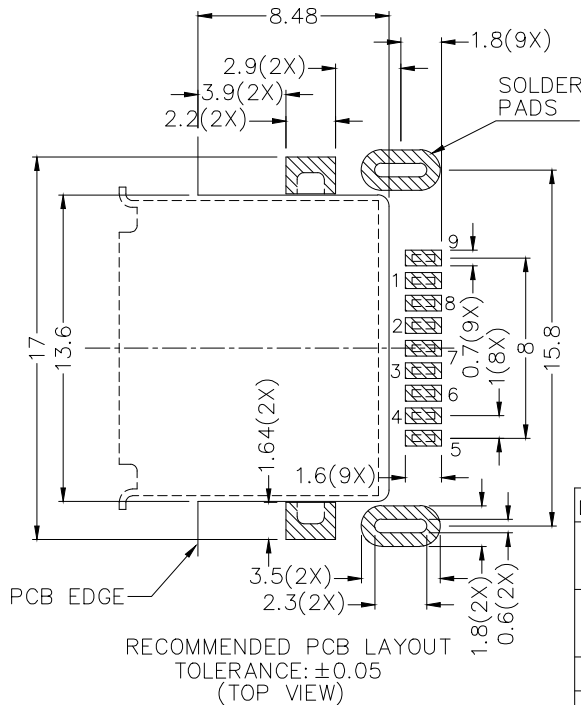
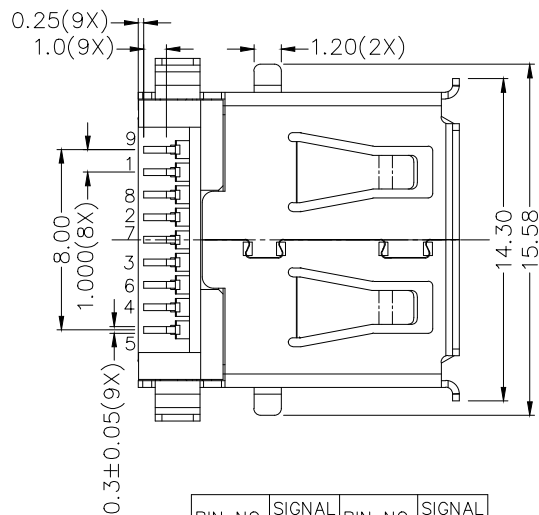
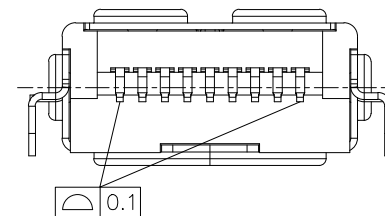
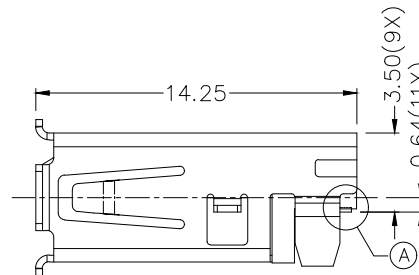
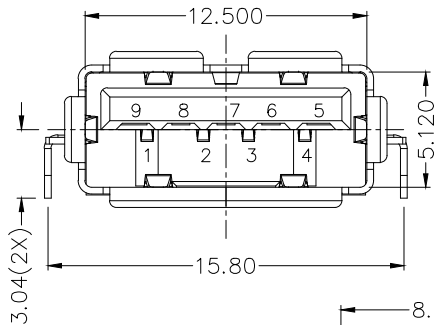
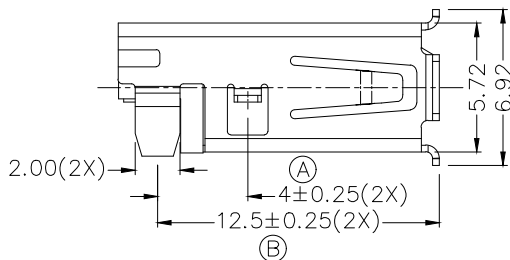
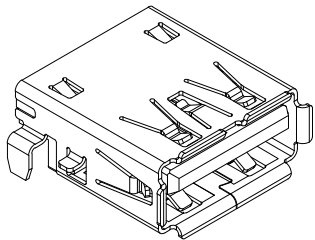
C

B

A

RoHS
Compliant

ZONE	SYMBOL	REVISION	APPROVAL	DATE
E2	(A)	4±0.2 MODIFY TO 4±0.25	H.Q.ZHOU	18-11-2023
E2	(B)	12.5±0.2 MODIFY TO 12.5±0.25	H.Q.ZHOU	18-11-2023



PIN NO.	SIGNAL NAME	PIN NO.	SIGNAL NAME
1	Vbus	5	SSRX-
2	D-	6	SSRX+
3	D+	7	GND
4	GND	8	SSTX-
SHELL	SHIELD	9	SSTX+

DESCRIPTION	MATERIAL	PLATING
TERMINAL-A	COPPER ALLOY	NICKEL PLATED ON ALL AREA, GOLD FLASH ON CONTACT Sn 100u" MIN ON SOLDER AREA
TERMINAL-B	BRASS	NICKEL PLATED ON ALL AREA, GOLD FLASH ON CONTACT Sn 100u" MIN ON SOLDER AREA
SHELL	BRASS	Ni: 100u" MIN
PLASTIC	HIGH TEMP. PLASTIC	COLOR: BLUE

LINKPLEX TECHNOLOGY LIMITED

PART NAME: USB 3.2 GEN1 A TYPE CONNECTOR
PART NO.: LUB-3006D

TOLERANCE UNLESS 0.0±0.3
0.00±0.2
OTHERWISE SPECIFIED: 0.000±0.1

UNIT: mm

DESIGN	H.L.TAN	DATE	10-10-2019	SCALE	3:1
DRAWING	J.Q.ZHOU	DATE	18-11-2023	MATERIAL	
CHECK	T.Y.LI	DATE	18-11-2023	DWG. NO.	TZ\UB3006D-A/1.2
APPROVAL	H.Q.ZHOU	DATE	18-11-2023	SHEET	1/1

F

E

D

C

B

A