

F

E

D

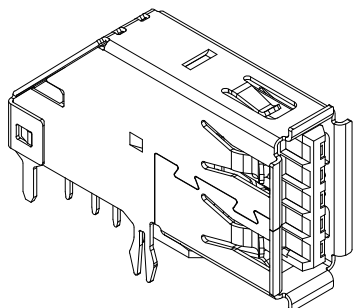
C

B

A

ZONE	SYMBOL	REVISION	APPROVAL	DATE
		CHANGE PRODUCT NUMBER	H.Q.ZHOU	17-9-2023

RoHS
Compliant

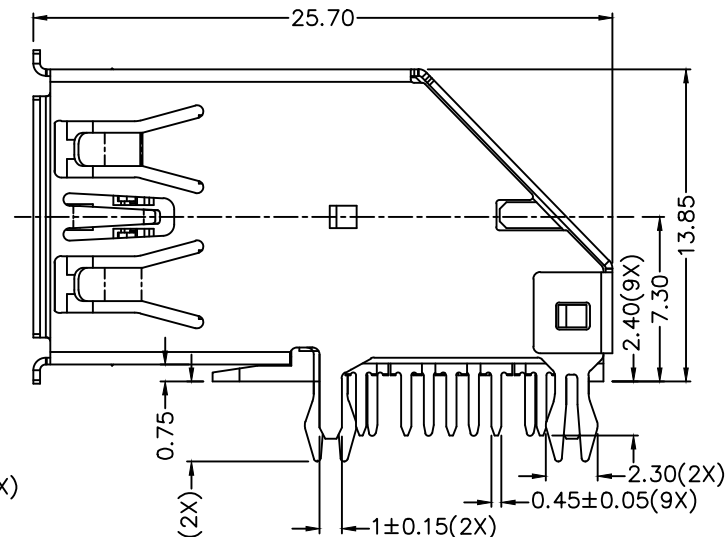
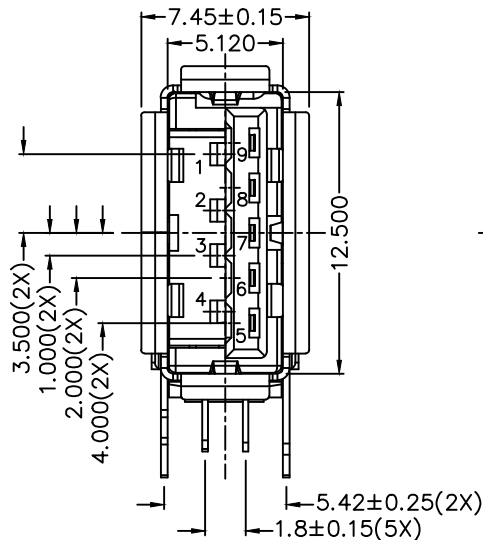
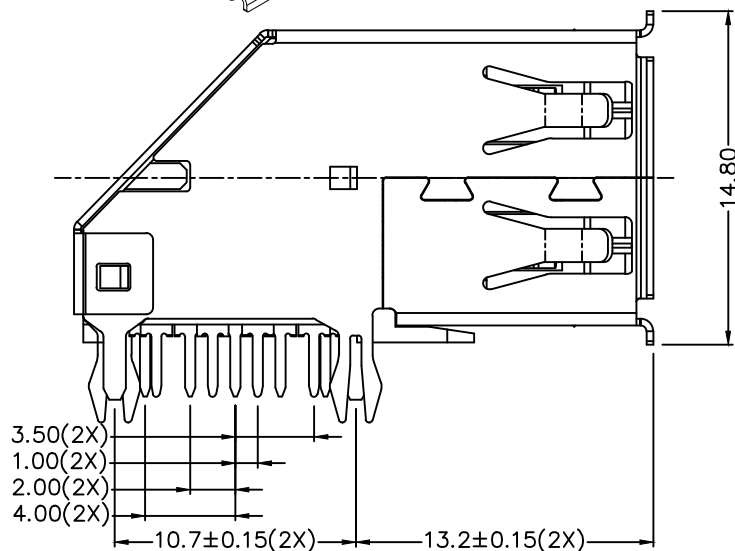


1

1

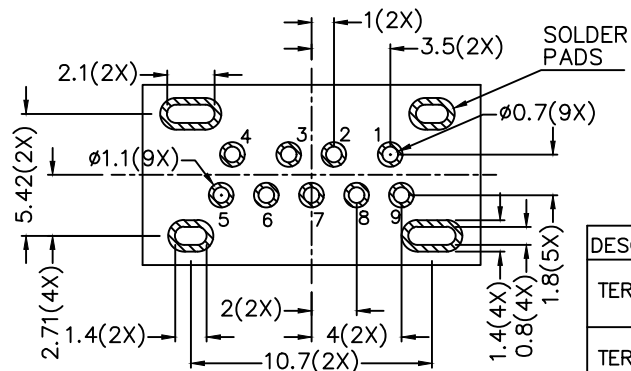
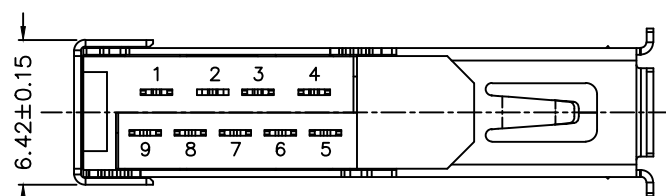
2

2



3

3



RECOMMENDED PCB LAYOUT
TOLERANCE: ± 0.05
(TOP VIEW)

PIN NO.	SIGNAL NAME	PIN NO.	SIGNAL NAME
1	Vbus	5	SSRX-
2	D-	6	SSRX+
3	D+	7	GND
4	GND	8	SSTX-
SHELL	SHIELD	9	SSTX+

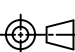
DESCRIPTION	MATERIAL	PLATING
TERMINAL-A	COPPER ALLOY	NICKEL PLATED ON ALL AREA, GOLD FLASH ON CONTACT AREA, TIN PLATED ON SOLDER AREA
TERMINAL-B	BRASS	NICKEL PLATED ON ALL AREA, GOLD FLASH ON CONTACT AREA, TIN PLATED ON SOLDER AREA
SHELL	STAINLESS STEEL	NICKEL(Ni)
PLASTIC	THERMOPLASTIC	COLOR:BLUE

4

4

 LINKPLEX TECHNOLOGY LIMITED

DESIGN	H.L.TAN	DATE	1-3-2016	SCALE	3:1
DRAWING	J.Q.ZHOU	DATE	17-9-2023	MATERIAL	
CHECK	T.Y.LI	DATE	17-9-2023	DWG. NO.	TZ\UB3002-B/1.2
APPROVAL	H.Q.ZHOU	DATE	17-9-2023	SHEET	1/1

PART NAME	USB 3.2 GEN1 A TYPE CONNECTOR	TOLERANCE UNLESS	0.0±0.3	UNIT:	
PART NO.	LUB-3002	OTHERWISE SPECIFIED:	0.00±0.2 0.000±0.1	mm	

F

E

D

C

B

A