

F

E

D

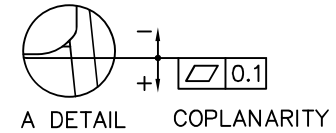
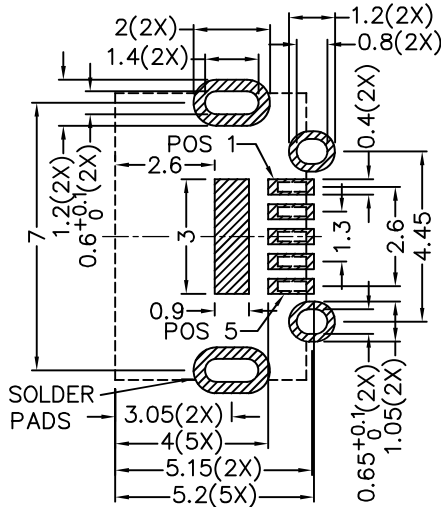
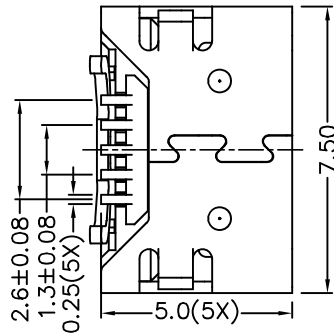
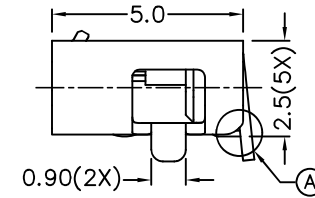
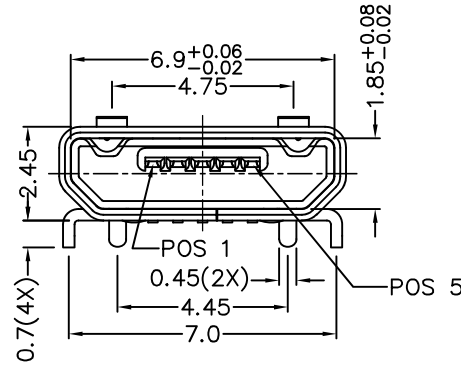
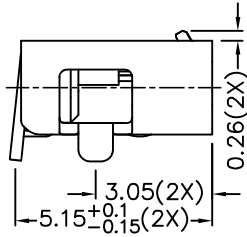
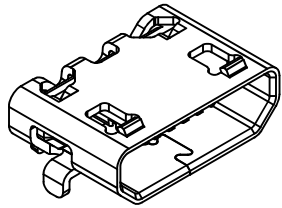
C

B

A

ZONE	SYMBOL	REVISION	APPROVAL	DATE

RoHS
Compliant



RECOMMENDED PCB LAYOUT
TOLERANCE: ±0.05
(TOP VIEW)

DESCRIPTION	MATERIAL	PLATING
TERMINALS	COPPER ALLOY	Ni: 30u" Min., GOLD FLASH ON CONTACT AND SOLDER AREA
SHELL	STAINLESS STEEL	Ni: 50u" Min.
PLASTIC	HIGH TEMP. PLASTIC	

LINKPLEX TECHNOLOGY LIMITED

DESIGN	H.L.TAN	DATE	20-8-2015	SCALE	5:1
DRAWING	J.CH.OU	DATE	20-3-2017	MATERIAL	
CHECK	T.Y.LI	DATE	20-3-2017	DWG. NO.	TZ\UB004D-A/1.0
APPROVAL	<i>[Signature]</i>	DATE	20-3-2017	SHEET	

PART NAME	USB MICRO B	TOLERANCE UNLESS	0.0±0.2	UNIT:	mm
PART NO.	LUB-004D	OTHERWISE SPECIFIED:	0.00±0.1 0.000±0.05		

F

E

D

C

B

A