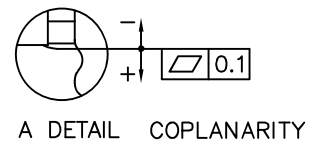
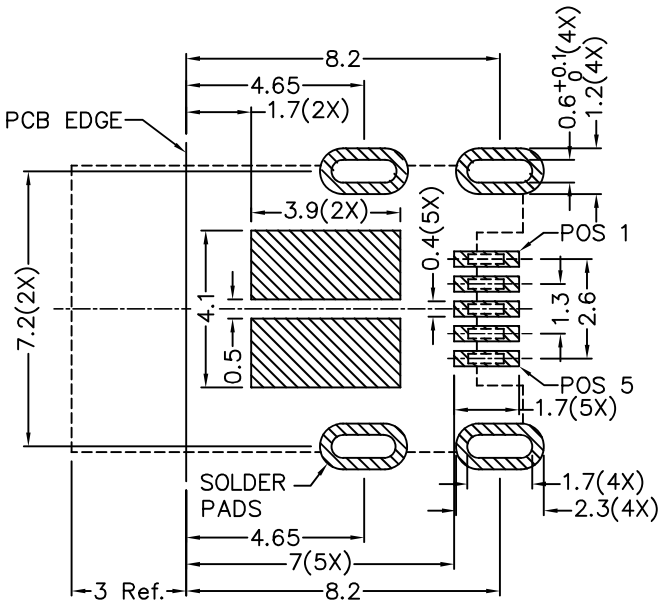
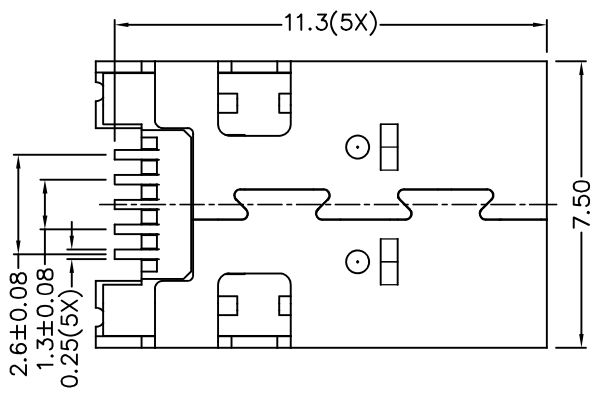
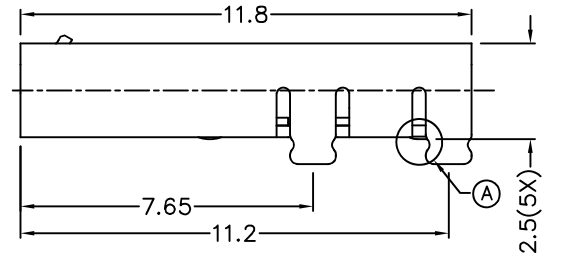
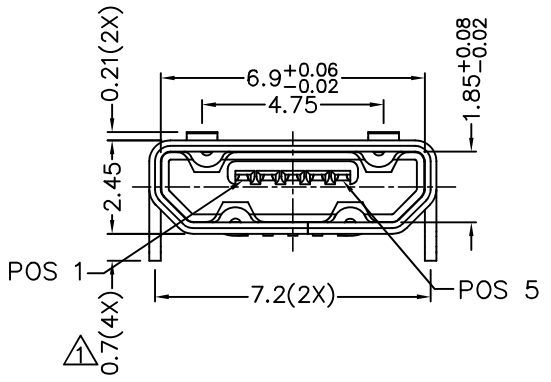
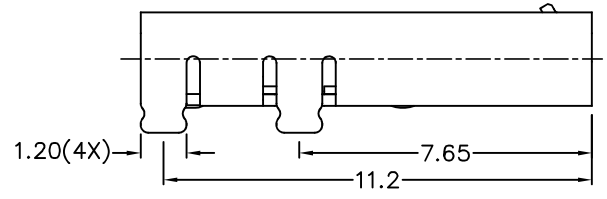


RoHS
Compliant

ZONE	SYMBOL	REVISION	APPROVAL	DATE
D2	⚠	ADD DIMENSION	J.X.KUANG	29-1-2019



RECOMMENDED PCB LAYOUT
TOLERANCE: ±0.05
(TOP VIEW)

DESCRIPTION	MATERIAL	PLATING
TERMINALS	COPPER ALLOY	NICKEL PLATED ON ALL AREA, GOLD FLASH ON CONTACT & SOLDER AREA
SHELL	STAINLESS STEEL	Ni: 50u" Min.
PLASTIC	HIGH TEMP. PLASTIC	COLOR: BLACK

LINKPLEX TECHNOLOGY LIMITED

DESIGN	H.L.TAN	DATE	7-7-2015	SCALE	5:1
DRAWING	H.Q.ZHOU	DATE	29-1-2019	MATERIAL	
CHECK	T.Y.LI	DATE	29-1-2019	DWG. NO.	TZ\UB003D-A/1.2
APPROVAL		DATE	29-1-2019	SHEET	

PART NAME	USB MICRO B	TOLERANCE UNLESS	0.0±0.2	UNIT:	
PART NO.	LUB-003D	OTHERWISE SPECIFIED:	0.00±0.1 0.000±0.05	mm	

F E D C B A