

F

E

D

C

B

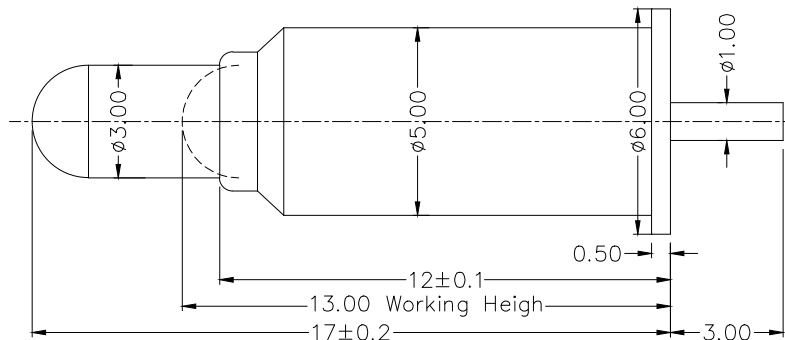
A

RoHS
Compliant

ZONE	SYMBOL	REVISION	APPROVAL	DATE

NOTES:

- Electrical
 - .Rated Current & Voltage:DC 12V;3.0A Max.
 - .Contact Resistance:50 mohm maximum at Working Height(Quiescence)
- Mechanical
 - .Full store:5.00 mm
 - .Working Store:4.00 mm
 - .Spring Force: 120gf±20%gf at Working Height
 - .Durability:50,000 cycles(minimum)
- Environmental
 - .Operating Temperature: -40°C~+85°C
 - .Humidity Range:10%RH~90%RH
 - .Salt Spray: 48 Hours
- When the current is greater than 1A then need to increase the time delay circuit(3 second)
- To avoid arcing issue, The adaptor start to power supply after connector mated fully.
- To ensure the best usage,please operate it based on the working height.



PART NAME	MATERIAL	PLATED SURFACE
PLUNGER	BRASS	AU 5U" MIN. OVER 50~120 U" NI
BARREL	BRASS	AU 3U" MIN. OVER 50~120 U" NI
SPRING	SUS304	



LINKPLEX TECHNOLOGY LIMITED

PART NAME	POGO PIN	TOLERANCE UNLESS	0.±0.15	UNIT:		DESIGN	J.X.KUANG	DATE	1-8-2022	SCALE	5:1
PART NO.	LPG-016	OTHERWISE SPECIFIED:	0.0±0.1 0.00±0.05	mm		CHECK	T.Y.LI	DATE	1-8-2022	MATERIAL	
						APPROVAL		DATE	1-8-2022	DWG. NO.	TZ\PG016/1.0
								DATE	1-8-2022	SHEET	1/1

F

E

D

C

B

A