

F

E

D

C

B

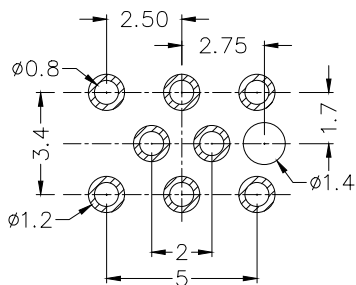
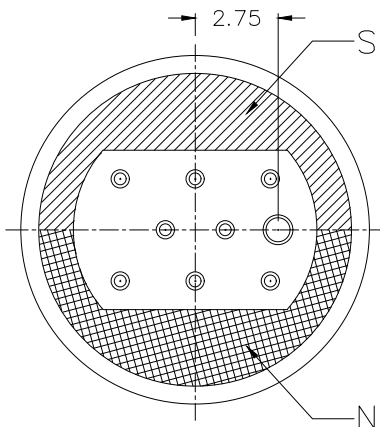
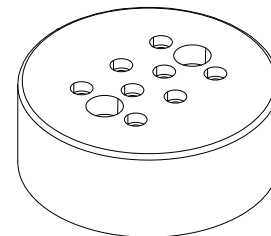
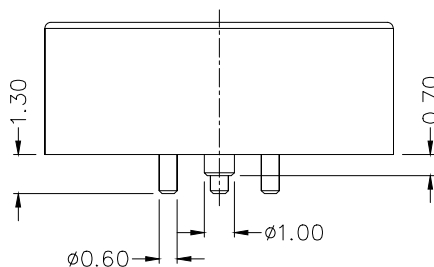
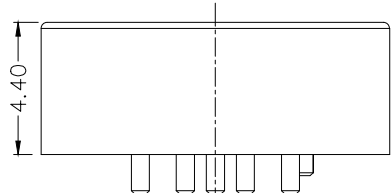
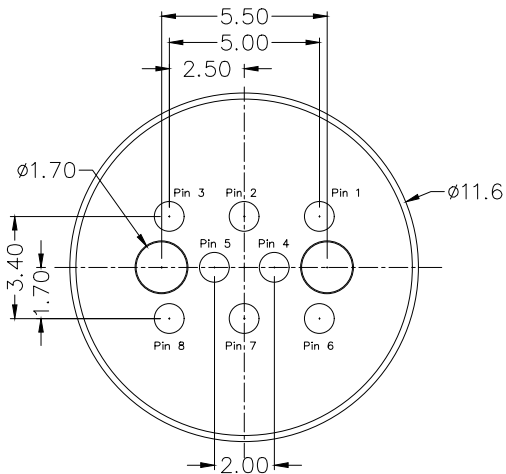
A

RoHS
Compliant

ZONE	SYMBOL	REVISION	APPROVAL	DATE

NOTES:

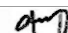
1. Electrical
 - .Rated Current & Voltage:DC 5V;1.0A
 - .Contact Resistance:50 mohm maximum at Working Height(Quiescence)
 - .Insulation Resistance:1000MΩ Min.at 1000VDC/Minute
 - .Dielectric Withstanding Voltage: At 500VAC/Minute No Breakdown
2. Environmental
 - .Operating Temperature: -20°C~+80°C
 - .Humidity Range:10%RH~90%RH
 - .Salt Spray: 48 Hours



RECOMMENDED PCB LAYOUT
TOLERANCE: ±0.05

PART NAME	MATERIAL	PLATED SURFACE
PIN	HBI59	AU 5U" MIN. OVER 50U" MIN. NI
HOUSING	HIGH TEMP.PLASTIC; UL94 V-0 COLOR BLACK	
MAGNET	NdFeB	PLATING NI

 LINKPLEX TECHNOLOGY LIMITED

DESIGN	J.X.KUANG	DATE	1-8-2022	SCALE	4:1
DRAWING	N.X.LIU	DATE	1-8-2022	MATERIAL	
CHECK	T.Y.LI	DATE	1-8-2022	DWG. NO.	TZ\PA003-A/1.0
APPROVAL		DATE	1-8-2022	SHEET	1/1

PART NAME	SPRING-LOADED CONNECTOR	TOLERANCE UNLESS	0.±0.2	UNIT:	
PART NO.	LPA-003	OTHERWISE SPECIFIED:	0.0±0.15 0.00±0.1	mm	

F

E

D

C

B

A