

F

E

D

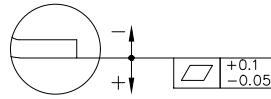
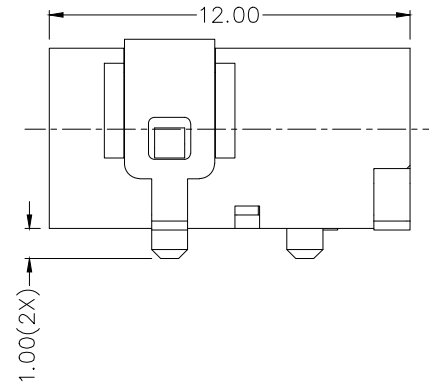
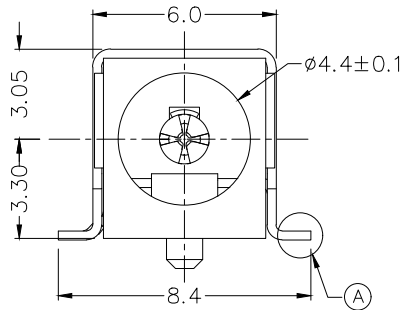
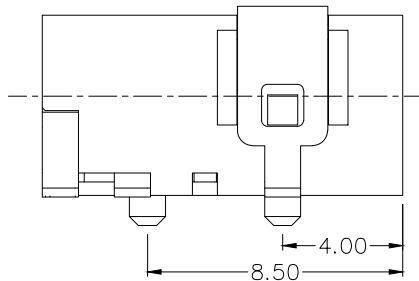
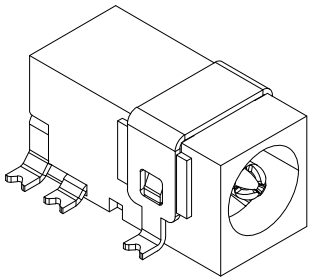
C

B

A

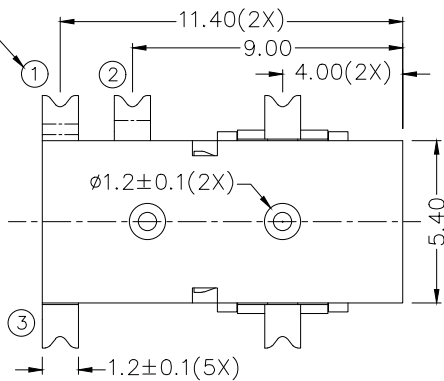
ZONE	SYMBOL	REVISION	APPROVAL	DATE

RoHS
Compliant



A DETAIL COPLANARITY

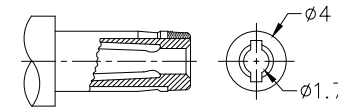
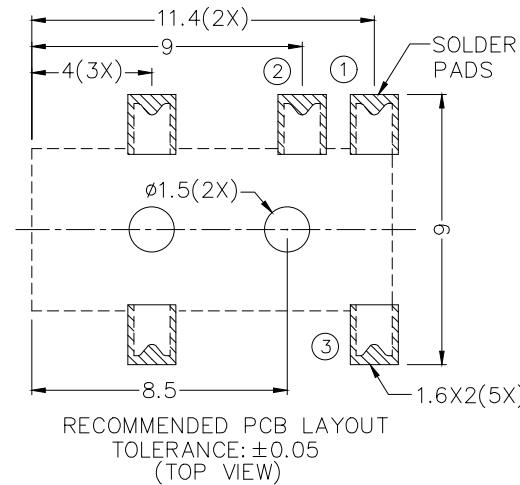
TERMINAL NUMBER



*** MATERIAL**

- TERMINAL 1 : BRASS
- TERMINAL 2 : COPPER ALLOY
- TERMINAL 3 : BRASS
- SHIELD : BRASS
- HOUSING : HIGH TEMP. PLASTIC

MODEL NO.	LDC-126D
SCHEMATIC	
CENTER PIN	$\phi 1.65^{+0.05}_{-0.1}$ mm



RECOMMENDED
DC MATING PLUG



LINKPLEX TECHNOLOGY LIMITED

PART NAME	SMD DC POWER SOCKET	TOLERANCE UNLESS	0 ± 0.5 0.0 ± 0.3	UNIT:	
PART NO.	LDC-126D	OTHERWISE SPECIFIED:	0.00 ± 0.2		

DESIGN	T.Y.LI	DATE	25-6-2023	SCALE	4:1
DRAWING	H.Q.ZHOU	DATE	25-6-2023	MATERIAL	*
CHECK	H.L.TAN	DATE	25-6-2023	DWG. NO.	TZ\DC126D-A/1.0
APPROVAL		DATE	25-6-2023	SHEET	1/1

F

E

D

C

B

A