

F

E

D

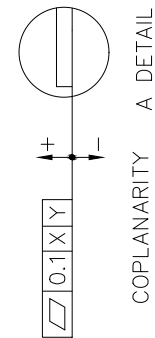
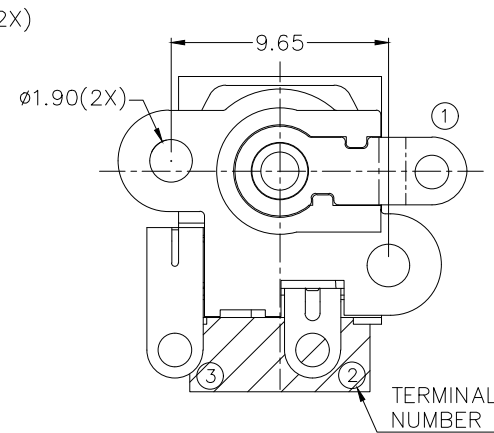
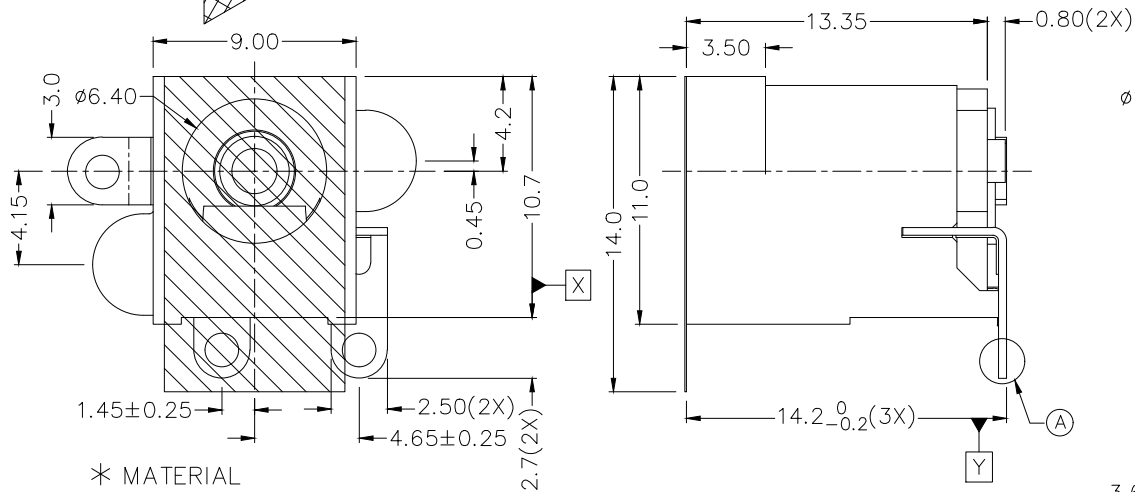
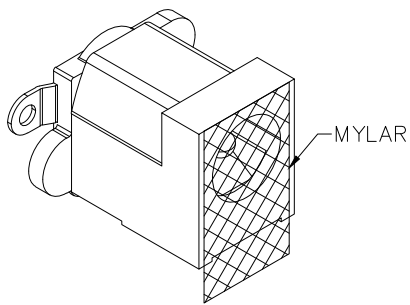
C

B

A

RoHS Compliant

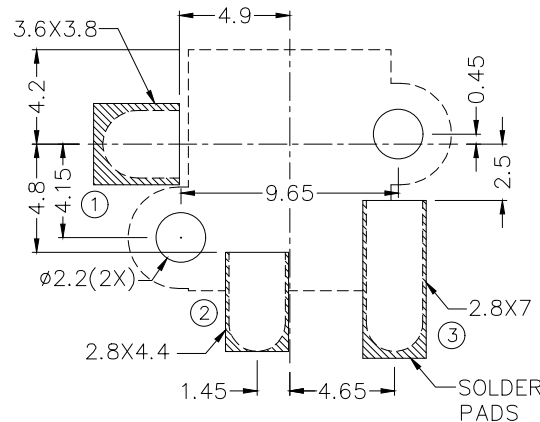
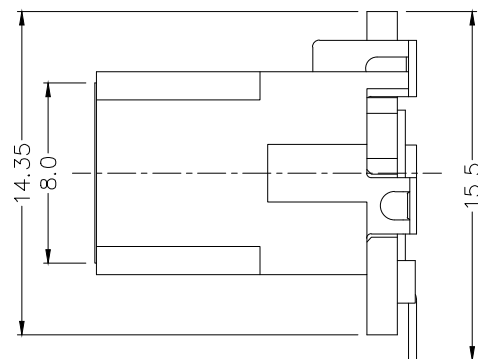
ZONE	SYMBOL	REVISION	APPROVAL	DATE



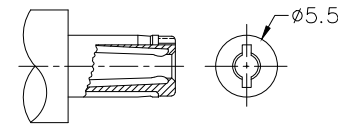
\* MATERIAL

- CENTRE PIN : BRASS
- TERMINAL 1 : COPPER ALLOY
- TERMINAL 2 : COPPER ALLOY
- TERMINAL 3 : COPPER ALLOY
- HOUSING : HIGH TEMP. PLASTIC
- COVER : HIGH TEMP. PLASTIC
- MYLAR : POLYIMIDE

MODEL NO.	LDC-125DT1
SCHEMATIC	
CENTER PIN	$\phi 2^{+0}_{-0.05}$ mm
	$\phi 2.5^{+0}_{-0.05}$ mm



RECOMMENDED PCB LAYOUT TOLERANCE: ±0.05 (TOP VIEW)



RECOMMENDED DC MATING PLUG



LINKPLEX TECHNOLOGY LIMITED

PART NAME	SMD DC POWER SOCKET	TOLERANCE UNLESS 0±0.5 0.0±0.3 OTHERWISE SPECIFIED: 0.00±0.2	UNIT: mm	DESIGN	T.Y.LI	DATE	25-6-2023	SCALE	3:1
				DRAWING	H.Q.ZHOU	DATE	25-6-2023	MATERIAL	*
PART NO.	LDC-125DT1			CHECK	H.L.TAN	DATE	25-6-2023	DWG. NO.	TZ\DC125DT1-A/1.0
				APPROVAL		DATE	25-6-2023	SHEET	1/1

F

E

D

C

B

A