

F

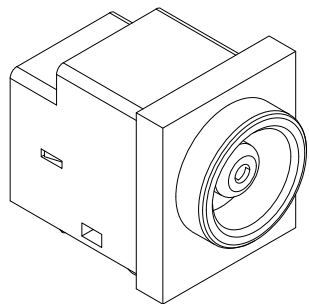
E

D

C

B

A

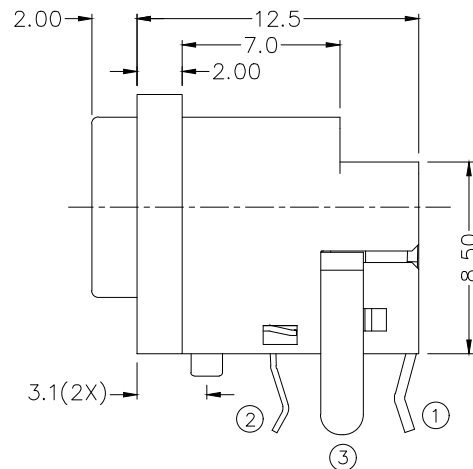
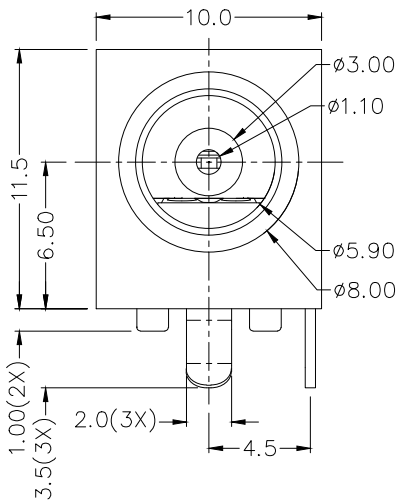
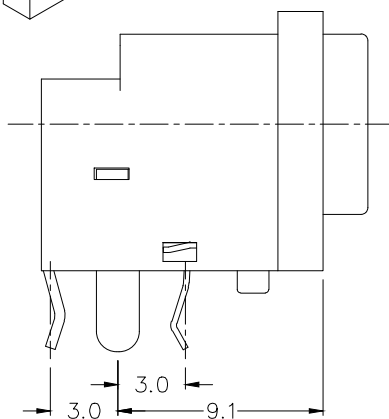


RoHS
Compliant

ZONE	SYMBOL	REVISION	APPROVAL	DATE

1

1

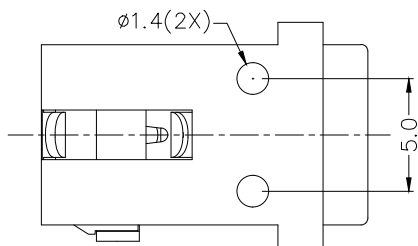


2

2

3

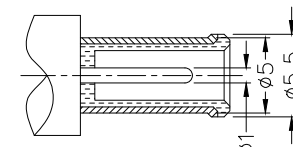
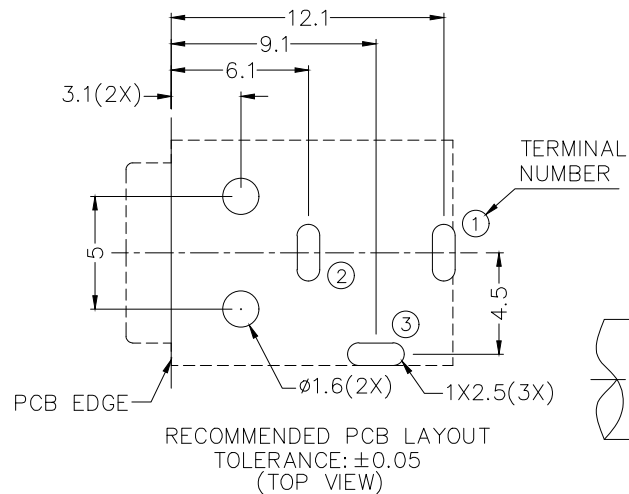
3



* MATERIAL

TERMINAL 1 : BRASS
 TERMINAL 2 : COPPER ALLOY
 TERMINAL 3 : BRASS
 HOUSING : THERMOPLASTIC

MODEL NO.	LDC-123
SCHMATIC	



RECOMMENDED
 DC MATING PLUG

4

4



LINKPLEX TECHNOLOGY LIMITED

PART NAME		DC POWER SOCKET		TOLERANCE UNLESS		0±0.5		UNIT:		DESIGN		G.P.YI		DATE		25-6-2023		SCALE		3:1	
PART NO. <td colspan="2">LDC-123</td> <td colspan="2">OTHERWISE SPECIFIED:</td> <td colspan="2">0.0±0.3</td> <td colspan="2">mm</td> <td colspan="2">DRAWING</td> <td colspan="2">H.Q.ZHOU</td> <td colspan="2">DATE</td> <td colspan="2">25-6-2023</td> <td colspan="2">MATERIAL</td> <td colspan="2">*</td>		LDC-123		OTHERWISE SPECIFIED:		0.0±0.3		mm		DRAWING		H.Q.ZHOU		DATE		25-6-2023		MATERIAL		*	
										CHECK		T.Y.LI		DATE		25-6-2023		DWG. NO.		TZ\DC123-B/1.0	
										APPROVAL				DATE		25-6-2023		SHEET		1/1	

F

E

D

C

B

A