

F

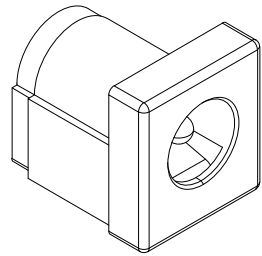
E

D

C

B

A

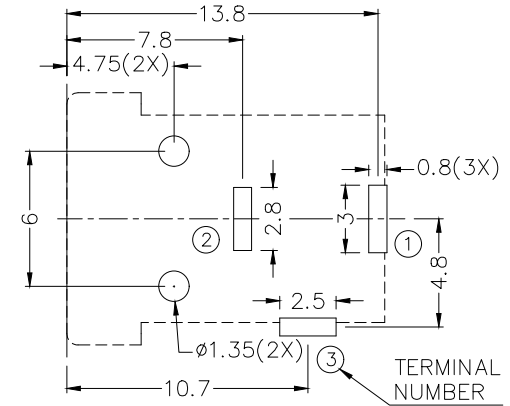
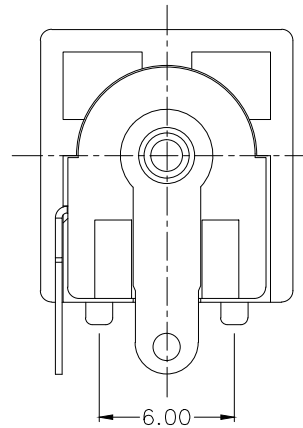
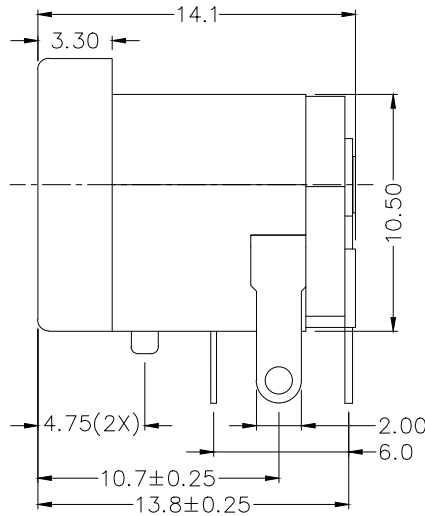
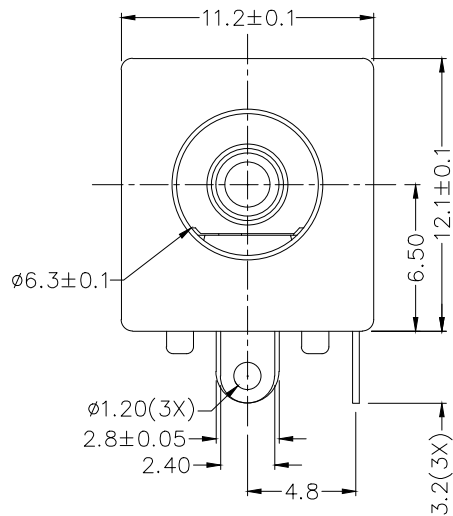


RoHS
Compliant

ZONE	SYMBOL	REVISION	APPROVAL	DATE

1

1



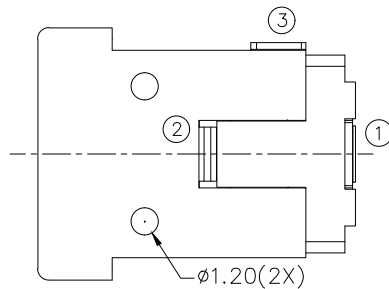
RECOMMENDED PCB LAYOUT
TOLERANCE: ±0.05
(TOP VIEW)

2

2

3

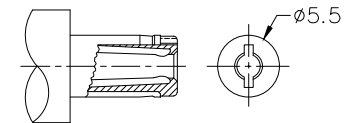
3



* MATERIAL

- CENTRE PIN : BRASS
- TERMINAL 1 : BRASS
- TERMINAL 2 : COPPER ALLOY
- TERMINAL 3 : BRASS
- HOUSING : THERMOPLASTIC
- COVER : THERMOPLASTIC

MODEL NO.	LDC-122
SCHEMATIC	
CENTER PIN	φ2±0.05mm
	φ2.5±0.05mm



RECOMMENDED
DC MATING PLUG

4

4

LINKPLEX TECHNOLOGY LIMITED

PART NAME	DC POWER SOCKET
PART NO.	LDC-122

TOLERANCE UNLESS	0±0.5	UNIT:
OTHERWISE SPECIFIED:	0.0±0.3 0.00±0.2	

DESIGN	T.Y.LI	DATE	25-6-2023	SCALE	3:1
DRAWING	H.Q.ZHOU	DATE	25-6-2023	MATERIAL	*
CHECK	H.L.TAN	DATE	25-6-2023	DWG. NO.	TZ\DC122-B/1.0
APPROVAL		DATE	25-6-2023	SHEET	1/1

F

E

D

C

B

A