

F

E

D

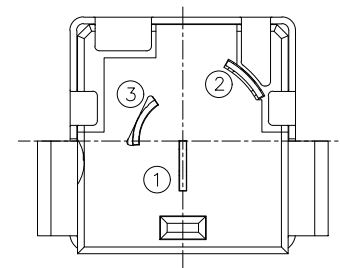
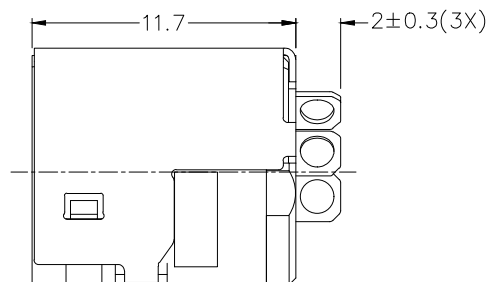
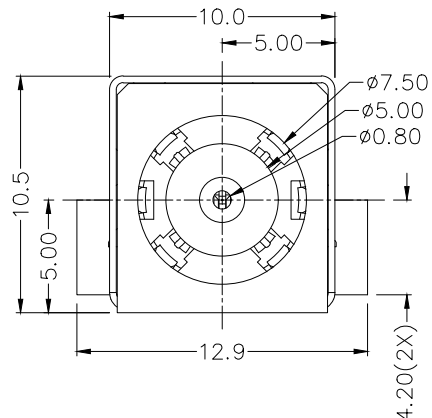
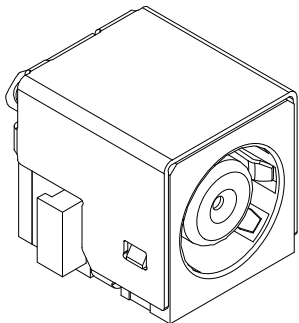
C

B

A

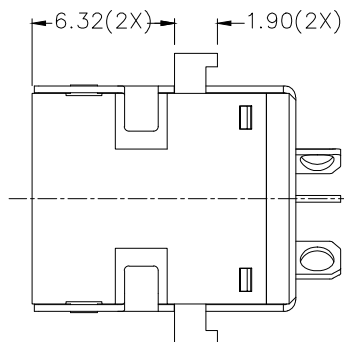
RoHS
Compliant

ZONE	SYMBOL	REVISION	APPROVAL	DATE
		ADJUST THE RECOMMENDED DC MATING PLUG	H.Q.ZHOU	10-9-2023

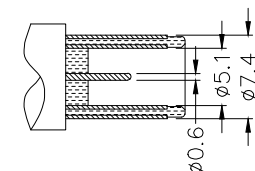


*** MATERIAL**

TERMINAL 1 : COPPER ALLOY
 TERMINAL 2 : COPPER ALLOY
 TERMINAL 3 : COPPER ALLOY
 SHIELD : BRASS
 HOUSING : HIGH TEMP. PLASTIC
 COVER : HIGH TEMP. PLASTIC



MODEL NO.	LDC-105HS
SCHEMATIC	3(V+)
	1(S)
	2(V-)



RECOMMENDED
DC MATING PLUG



LINKPLEX TECHNOLOGY LIMITED

PART NAME	HIGH CURRENT DC POWER SOCKET	TOLERANCE UNLESS	0.0±0.2	UNIT:	mm	DESIGN	H.L.TAN	DATE	11-9-2012	SCALE	3:1
PART NO.	LDC-105HS	OTHERWISE SPECIFIED:	0.00±0.1 0.000±0.05			DRAWING	J.H.ZHOU	DATE	10-9-2023	MATERIAL	*
						CHECK	T.Y.LI	DATE	10-9-2023	DWG. NO.	TZ\DC105HS-A/1.1
						APPROVAL	H.Q.ZHOU	DATE	10-9-2023	SHEET	1/1

F

E

D

C

B

A