

F

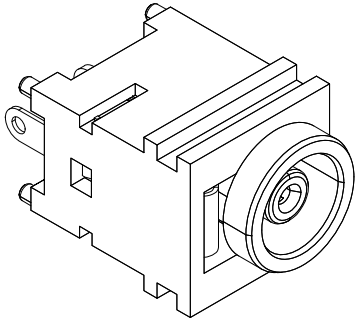
E

D

C

B

A

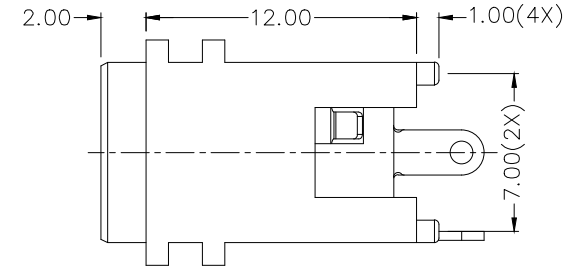
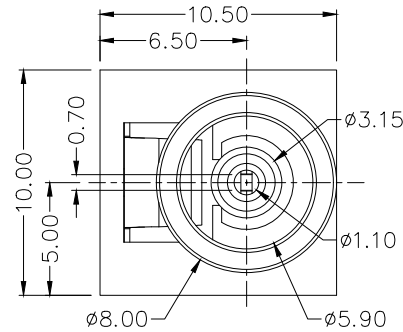
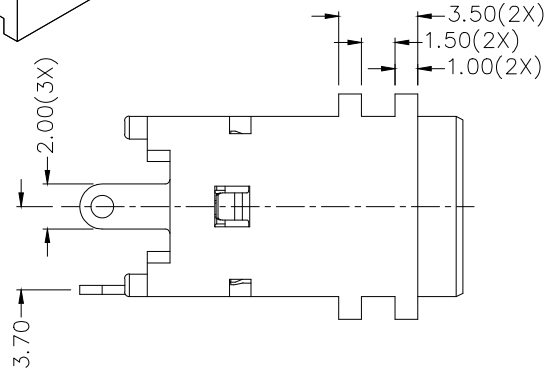


RoHS
Compliant

ZONE	SYMBOL	REVISION	APPROVAL	DATE

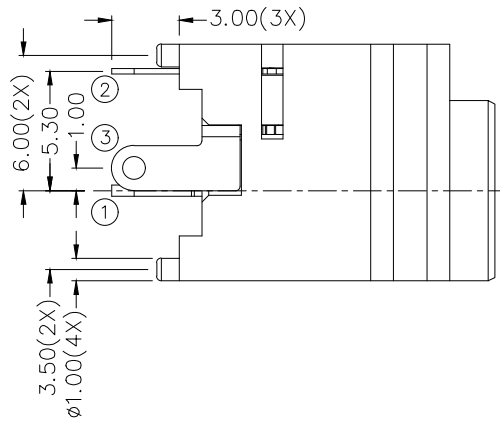
1

1



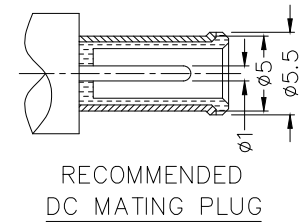
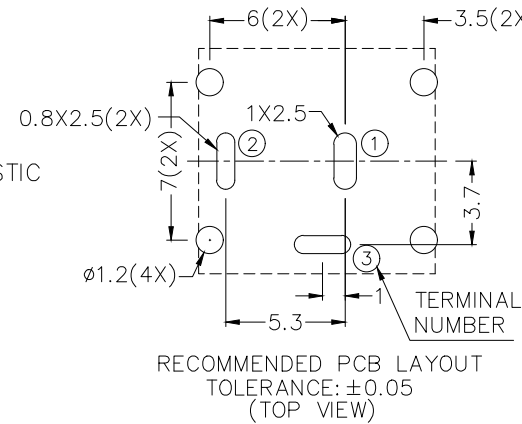
2

2



*** MATERIAL**

TERMINAL 1 : COPPER ALLOY
 TERMINAL 2 : COPPER ALLOY
 TERMINAL 3 : BRASS
 HOUSING : HIGH TEMP. PLASTIC



MODEL NO.	LDC-092
SCHEMATIC	

RECOMMENDED PCB LAYOUT
 TOLERANCE: ±0.05
 (TOP VIEW)

RECOMMENDED
 DC MATING PLUG

3

3

4

4

LINKPLEX TECHNOLOGY LIMITED

PART NAME: DC POWER SOCKET
 PART NO.: LDC-092

TOLERANCE UNLESS 0±0.3
 0.0±0.25
 OTHERWISE SPECIFIED: 0.00±0.2
 UNIT: mm



DESIGN	G.P.YI	DATE	17-2-2011	SCALE	3:1
DRAWING	J.H.ZHOU	DATE	4-11-2016	MATERIAL	*
CHECK	T.Y.LI	DATE	4-11-2016	DWG. NO.	TZ\DC092-A/1.0
APPROVAL		DATE	4-11-2016	SHEET	1/1

F

E

D

C

B

A