

F

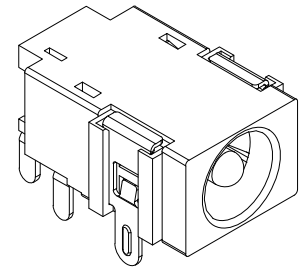
E

D

C

B

A

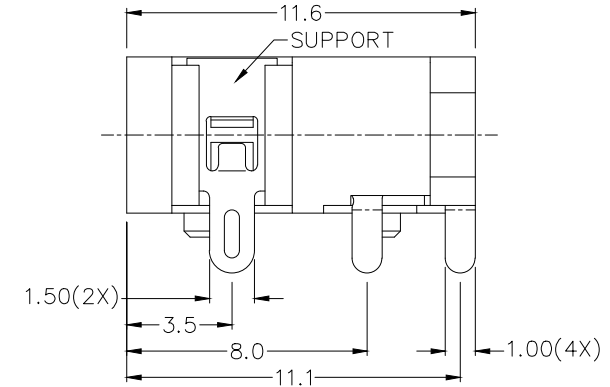
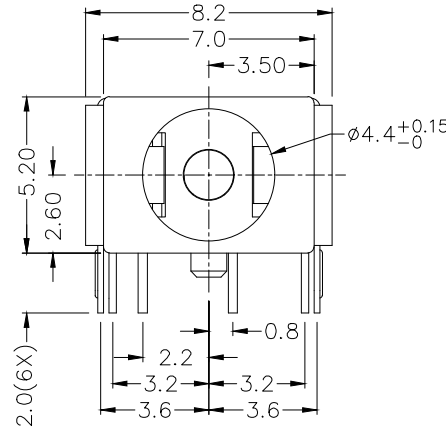
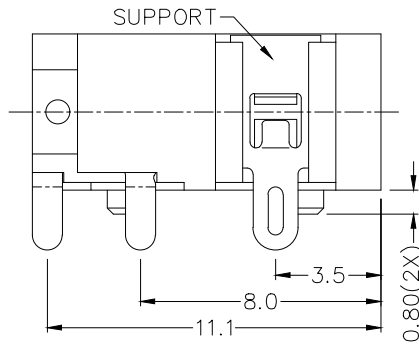


RoHS
Compliant

ZONE	SYMBOL	REVISION	APPROVAL	DATE

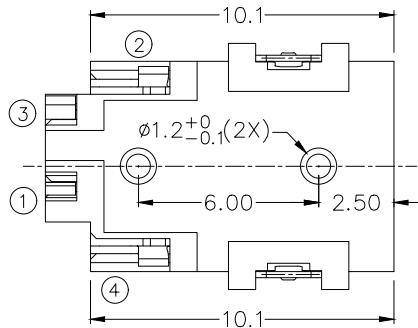
1

1



2

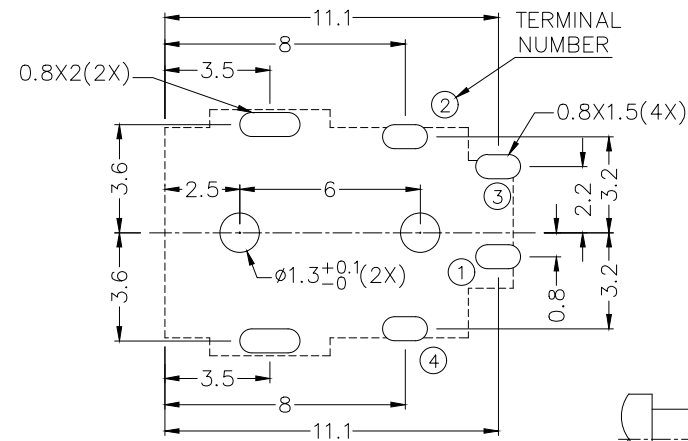
2



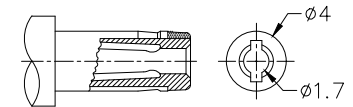
* MATERIAL

- TERMINAL 1 : BRASS
- TERMINAL 2 : COPPER ALLOY
- TERMINAL 3 : BRASS
- TERMINAL 4 : COPPER ALLOY
- SUPPORT : BRASS
- HOUSING : THERMOPLASTIC

MODEL NO.	LDC-090
SCHMATIC	
CENTER PIN	$\phi 1.650\text{mm}$



RECOMMENDED PCB LAYOUT
TOLERANCE: ± 0.05
(TOP VIEW)



RECOMMENDED
DC MATING PLUG

3

3

4

4

LINKPLEX TECHNOLOGY LIMITED

PART NAME	DC POWER SOCKET	TOLERANCE UNLESS	0.0 \pm 0.2	UNIT:	
PART NO.	LDC-090	OTHERWISE SPECIFIED:	0.00 \pm 0.1 0.000 \pm 0.05	mm	

DESIGN	G.P.YI	DATE	19-10-2010	SCALE	4:1
DRAWING	H.Q.ZHOU	DATE	4-7-2022	MATERIAL	*
CHECK	T.Y.LI	DATE	4-7-2022	DWG. NO.	TZ\DC090-B/1.0
APPROVAL		DATE	4-7-2022	SHEET	1/1

F

E

D

C

B

A