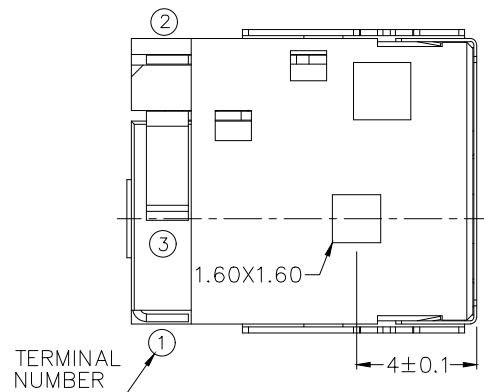
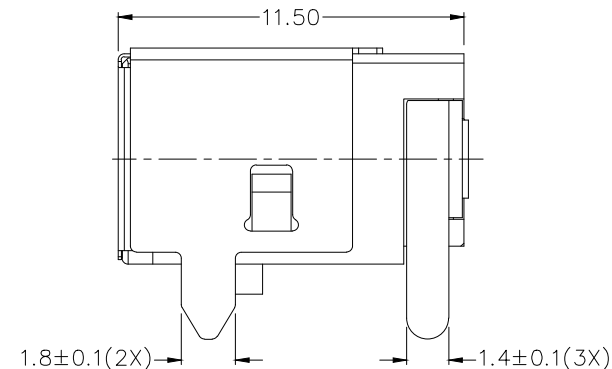
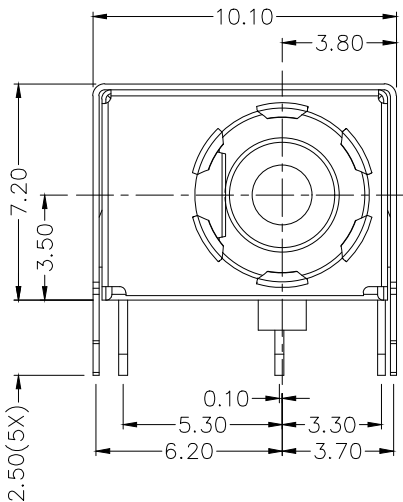
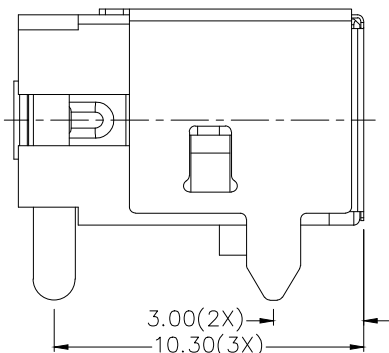
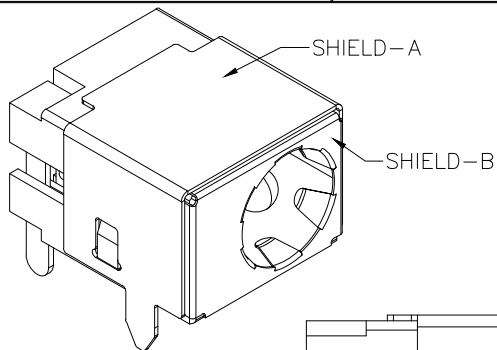


RoHS
Compliant

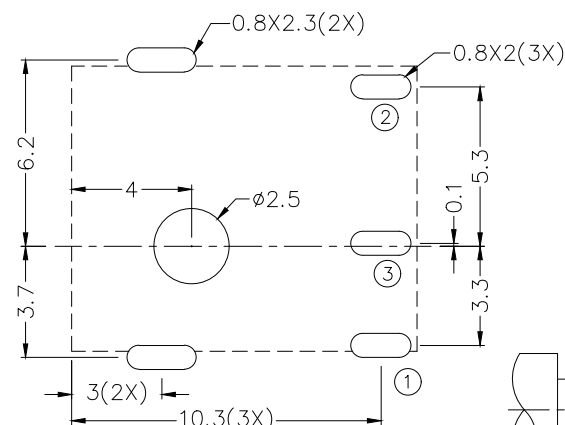
ZONE	SYMBOL	REVISION	APPROVAL	DATE
		UPDATE DRAWING	H.Q.ZHOU	18-2-2024



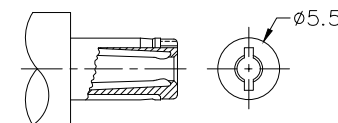
* MATERIAL

CENTRE PIN : COPPER
 TERMINAL 1 : BRASS
 TERMINAL 2 : COPPER ALLOY
 TERMINAL 3 : BRASS
 SHIELD-A : BRASS
 SHIELD-B : STAINLESS STEEL
 HOUSING : HIGH TEMP. PLASTIC

MODEL NO.	LDC-069HS
SCHEMATIC	
CENTER PIN	ø2.00mm
	ø2.50mm



RECOMMENDED PCB LAYOUT
 TOLERANCE: ±0.05
 (TOP VIEW)



RECOMMENDED
 DC MATING PLUG

LINKPLEX TECHNOLOGY LIMITED

DESIGN	G.P.YI	DATE	1-3-2007	SCALE	4:1
DRAWING	J.H.ZHOU	DATE	18-2-2024	MATERIAL	*
CHECK	H.L.TAN	DATE	18-2-2024	DWG. NO.	TZ\DC069HS-A/2.0
APPROVAL	H.Q.ZHOU	DATE	18-2-2024	SHEET	1/1

PART NAME	HIGH CURRENT DC POWER SOCKET	TOLERANCE UNLESS	0±0.5	UNIT:	
PART NO.	LDC-069HS	OTHERWISE SPECIFIED:	0.0±0.3 0.00±0.2	mm	