

F

E

D

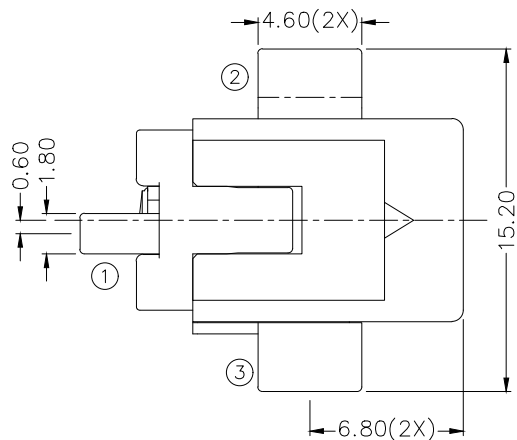
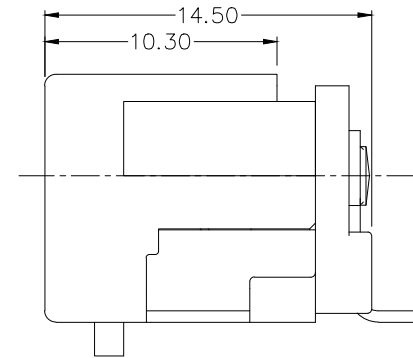
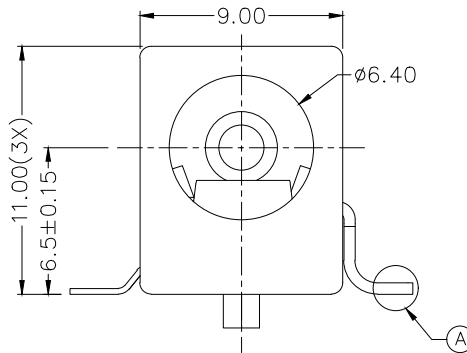
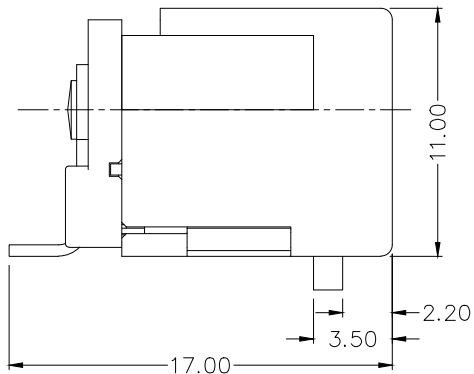
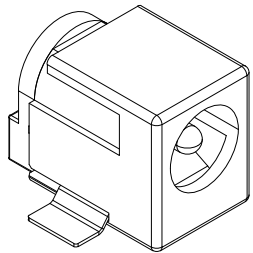
C

B

A

ZONE	SYMBOL	REVISION	APPROVAL	DATE

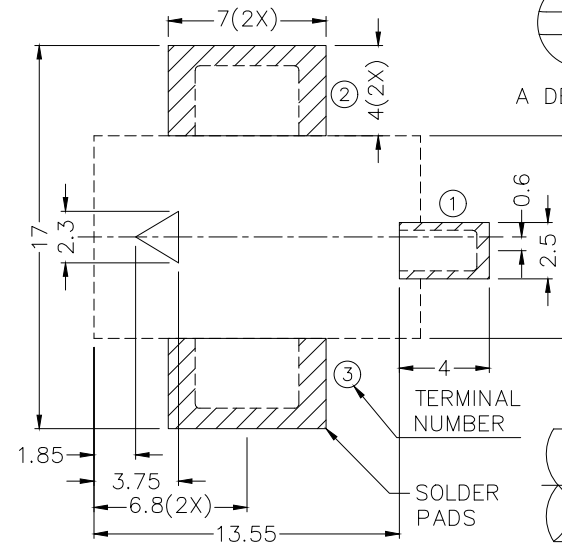
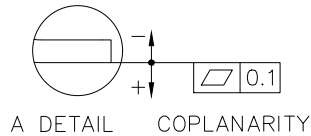
RoHS
Compliant



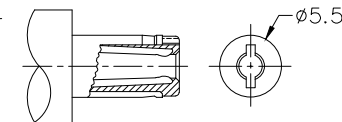
*** MATERIAL**

CENTRE PIN : BRASS
 TERMINAL 1 : BRASS
 TERMINAL 2 : COPPER ALLOY
 TERMINAL 3 : BRASS
 HOUSING : HIGH TEMP. PLASTIC
 COVER : HIGH TEMP. PLASTIC

MODEL NO.	LDC-061DH
SCHEMATIC	
CENTER PIN	ø2 ⁺⁰ _{-0.1} mm
	ø2.5 ⁺⁰ _{-0.1} mm



RECOMMENDED PCB LAYOUT
TOLERANCE: ±0.05
(TOP VIEW)



RECOMMENDED
DC MATING PLUG

LINKPLEX TECHNOLOGY LIMITED

PART NAME	HIGH CURRENT SMD DC POWER SOCKET	TOLERANCE UNLESS	0±0.3	UNIT:	mm
PART NO.	LDC-061DH	OTHERWISE SPECIFIED:	0.0±0.25 0.00±0.2		

DESIGN	T.Y.LI	DATE	5-7-2005	SCALE	3:1
DRAWING	J.CH.OU	DATE	17-10-2016	MATERIAL	*
CHECK	H.L.TAN	DATE	17-10-2016	DWG. NO.	TZ\DC061DH-A/1.0
APPROVAL		DATE	17-10-2016	SHEET	1/1

F

E

D

C

B

A