

F

E

D

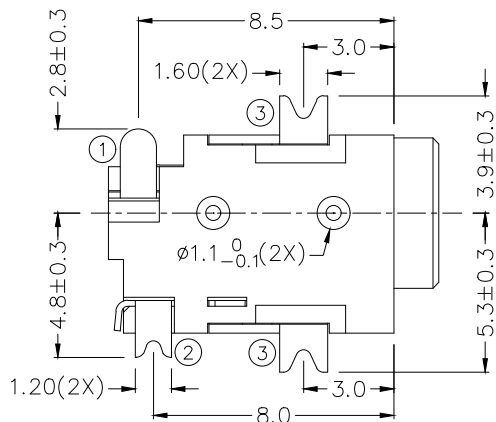
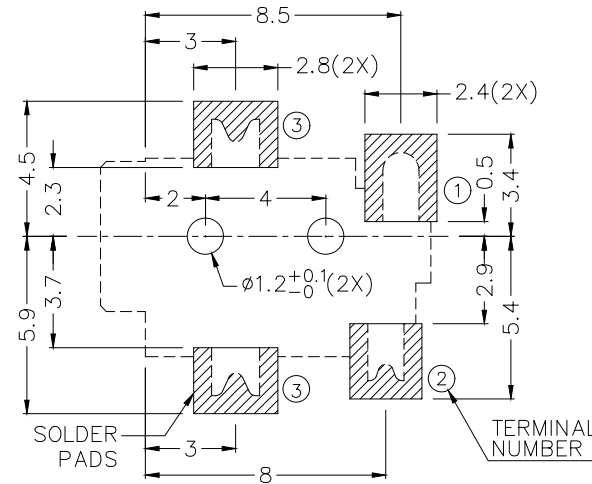
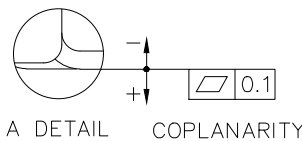
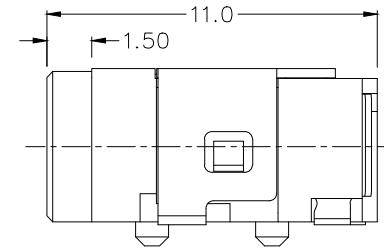
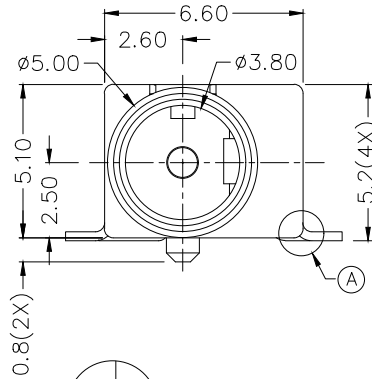
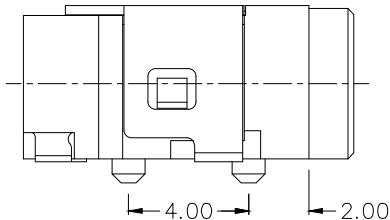
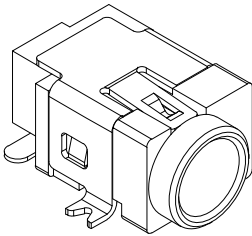
C

B

A

ZONE	SYMBOL	REVISION	APPROVAL	DATE

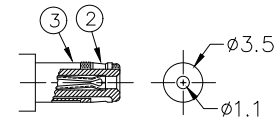
RoHS
Compliant



*** MATERIAL**
 TERMINAL 1 : BRASS
 TERMINAL 2 : COPPER ALLOY
 TERMINAL 3 : COPPER ALLOY
 HOUSING : HIGH TEMP. PLASTIC

MODEL NO.	LDC-060D
SCHEMATIC	1, 2, 3
CENTER PIN	φ1.000mm

RECOMMENDED PCB LAYOUT
TOLERANCE: ±0.05
(TOP VIEW)



RECOMMENDED
DC MATING PLUG

LINKPLEX TECHNOLOGY LIMITED

DESIGN	J. JIANG	DATE	28-6-2023	SCALE	4:1
DRAWING	H.Q.ZHOU	DATE	28-6-2023	MATERIAL	*
CHECK	H.L.TAN	DATE	28-6-2023	DWG. NO.	TZ\DC060D-A/1.0
APPROVAL		DATE	28-6-2023	SHEET	1/1

PART NAME	SMD DC POWER SOCKET	TOLERANCE UNLESS	0.0±0.2	UNIT:	
PART NO.	LDC-060D	OTHERWISE SPECIFIED:	0.00±0.1 0.000±0.05	mm	

F

E

D

C

B

A