

F

E

D

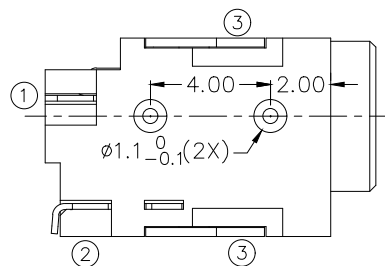
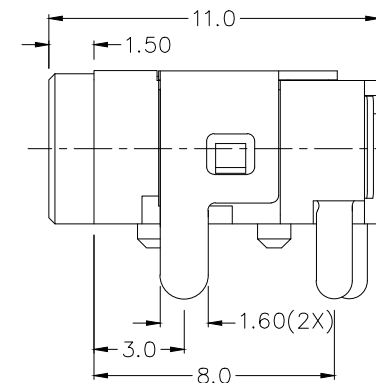
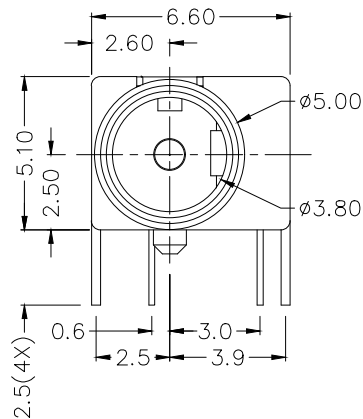
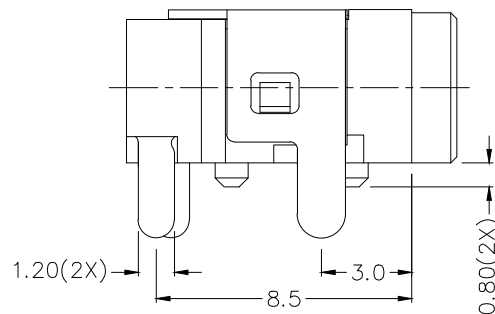
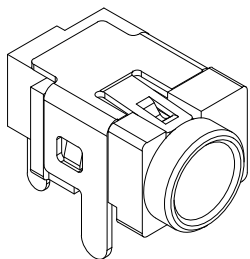
C

B

A

ZONE	SYMBOL	REVISION	APPROVAL	DATE

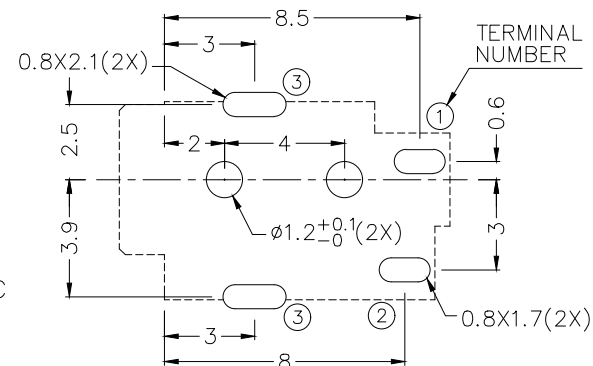
RoHS  
Compliant



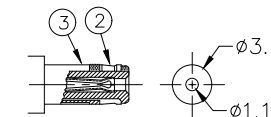
\* MATERIAL

TERMINAL 1 : BRASS  
 TERMINAL 2 : COPPER ALLOY  
 TERMINAL 3 : COPPER ALLOY  
 HOUSING : THERMOPLASTIC

MODEL NO.	LDC-060
SCHEMATIC	
CENTER PIN	∅1.000mm



RECOMMENDED PCB LAYOUT  
 TOLERANCE: ±0.05  
 (TOP VIEW)



RECOMMENDED  
 DC MATING PLUG



LINKPLEX TECHNOLOGY LIMITED

PART NAME	DC POWER SOCKET	TOLERANCE UNLESS	0.0±0.2	UNIT:	
PART NO.	LDC-060	OTHERWISE SPECIFIED:	0.00±0.1 0.000±0.05	mm	

DESIGN	J.X.KUANG	DATE	28-6-2023	SCALE	4:1
DRAWING	H.Q.ZHOU	DATE	28-6-2023	MATERIAL	*
CHECK	H.L.TAN	DATE	28-6-2023	DWG. NO.	TZ\DC060-B/1.0
APPROVAL		DATE	28-6-2023	SHEET	1/1

F

E

D

C

B

A