

F

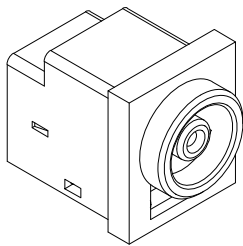
E

D

C

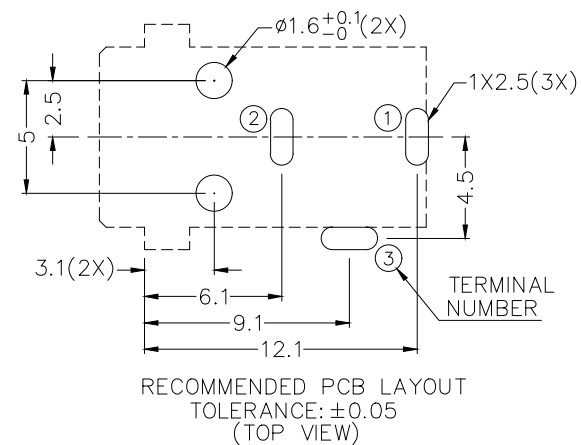
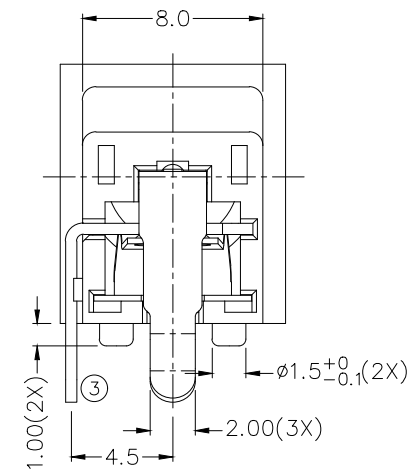
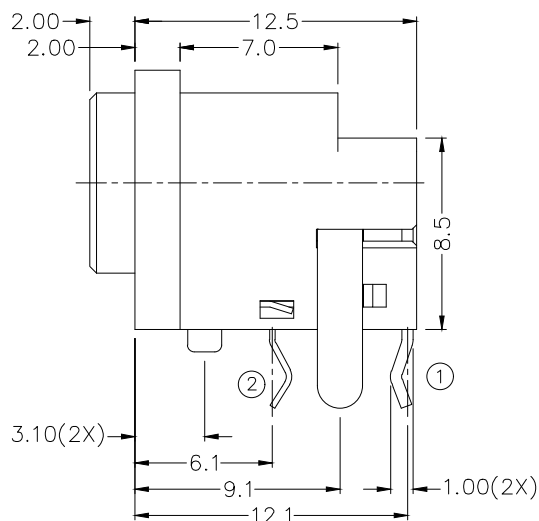
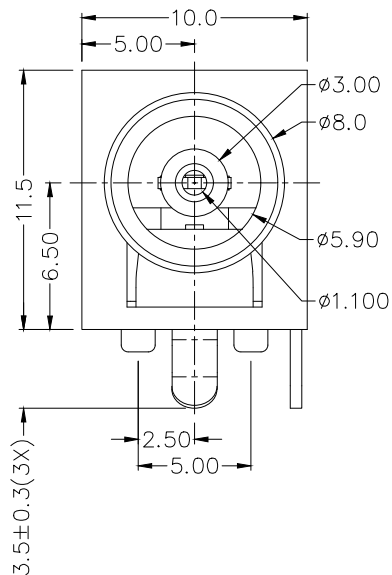
B

A



RoHS  
Compliant

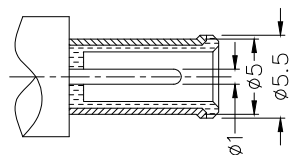
| ZONE | SYMBOL | REVISION                              | APPROVAL | DATE      |
|------|--------|---------------------------------------|----------|-----------|
|      |        | ADJUST THE RECOMMENDED DC MATING PLUG | H.Q.ZHOU | 10-9-2023 |
|      |        |                                       |          |           |



\* MATERIAL

TERMINAL 1 : BRASS  
TERMINAL 2 : COPPER ALLOY  
TERMINAL 3 : BRASS  
HOUSING : THERMOPLASTIC

|           |           |
|-----------|-----------|
| MODEL NO. | LDC-058-2 |
| SCHEMATIC |           |



RECOMMENDED  
DC MATING PLUG



LINKPLEX TECHNOLOGY LIMITED

|          |           |      |           |          |                  |
|----------|-----------|------|-----------|----------|------------------|
| DESIGN   | J.X.KUANG | DATE | 10-8-2004 | SCALE    | 3:1              |
| DRAWING  | J.H.ZHOU  | DATE | 10-9-2023 | MATERIAL | *                |
| CHECK    | H.L.TAN   | DATE | 10-9-2023 | DWG. NO. | TZ\DC058-2-B/1.1 |
| APPROVAL | H.Q.ZHOU  | DATE | 10-9-2023 | SHEET    | 1/1              |

|           |                 |                      |                                    |       |  |
|-----------|-----------------|----------------------|------------------------------------|-------|--|
| PART NAME | DC POWER SOCKET | TOLERANCE UNLESS     | 0.0 $\pm$ 0.2                      | UNIT: |  |
| PART NO.  | LDC-058-2       | OTHERWISE SPECIFIED: | 0.00 $\pm$ 0.1<br>0.000 $\pm$ 0.05 | mm    |  |

F

E

D

C

B

A