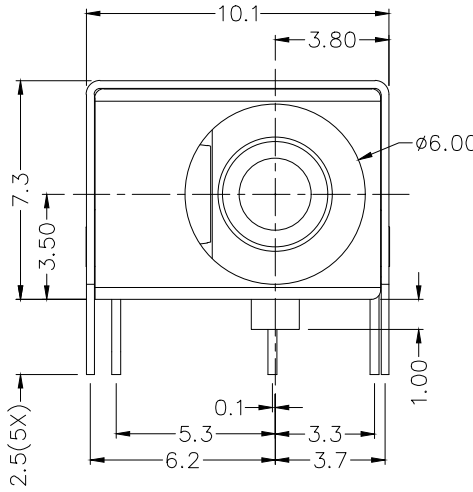


RECOMMENDED
DC MATING PLUG

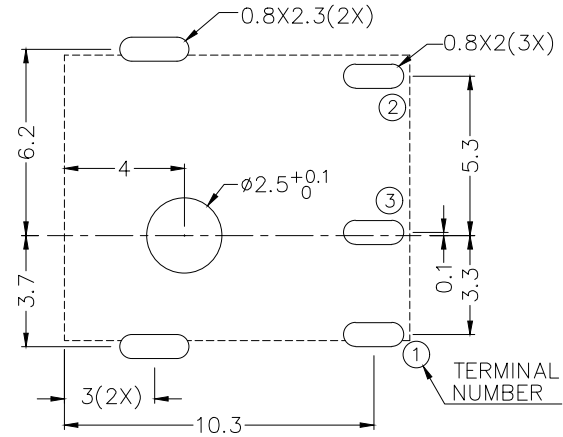
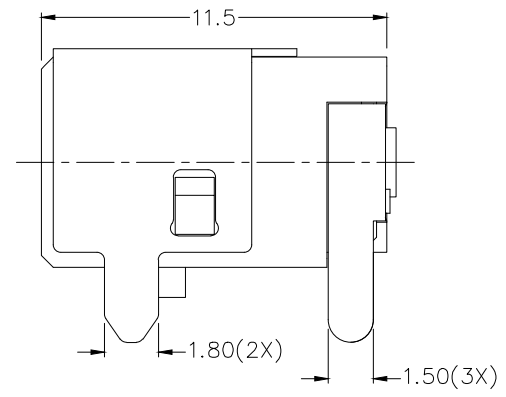
RoHS
Compliant



* MATERIAL
CENTRE PIN : COPPER
TERMINAL 1 : BRASS
TERMINAL 2 : COPPER ALLOY
TERMINAL 3 : BRASS
SHIELD : BRASS
HOUSING : THERMOPLASTIC

MODEL NO.	LDC-048S
SCHEMATIC	1, 2, 3
CENTER PIN	ø1.65mm
	ø2mm
	ø2.5mm

ZONE	SYMBOL	REVISION	APPROVAL	DATE
		ADJUST THE RECOMMENDED DC MATING PLUG	H.Q.ZHOU	10-9-2023



RECOMMENDED PCB LAYOUT
TOLERANCE: ±0.05
(TOP VIEW)

LINKPLEX TECHNOLOGY LIMITED

DESIGN	T.Y.LI	DATE	29-3-2004	SCALE	4:1
DRAWING	J.H.ZHOU	DATE	10-9-2023	MATERIAL	*
CHECK	H.L.TAN	DATE	10-9-2023	DWG. NO.	TZ\DC048S-B/1.2
APPROVAL	H.Q.ZHOU	DATE	10-9-2023	SHEET	1/1

PART NAME	DC POWER SOCKET	TOLERANCE UNLESS	0.0±0.2	UNIT:
PART NO.	LDC-048S	OTHERWISE SPECIFIED:	0.00±0.1 0.000±0.05	