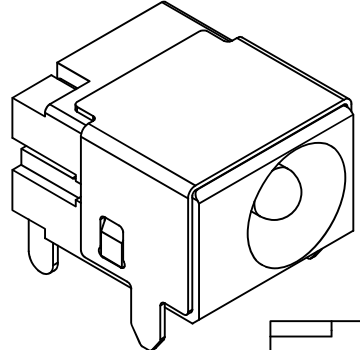


F E D C B A

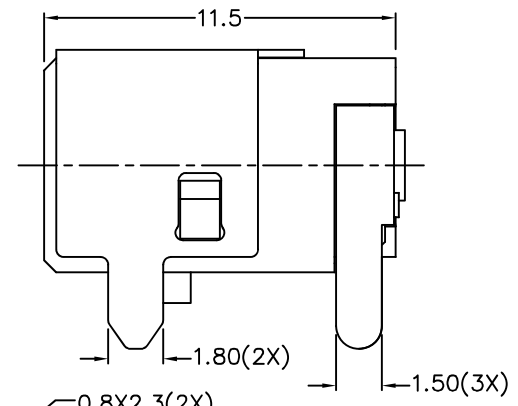
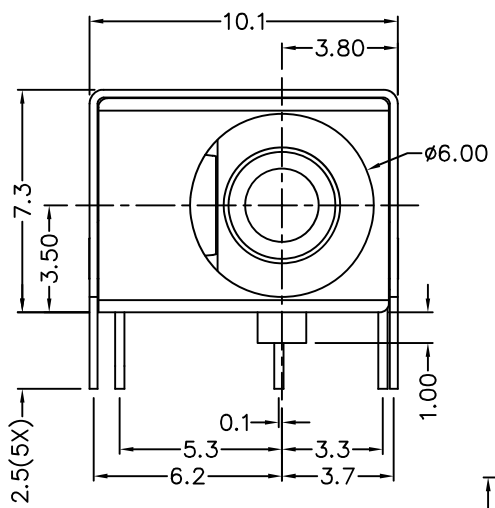
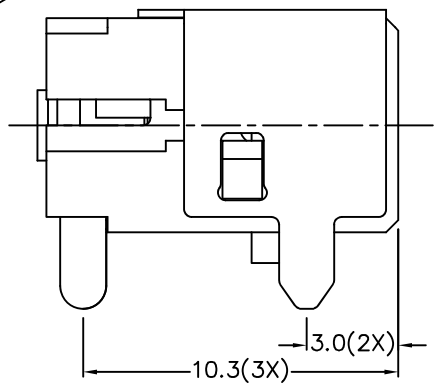


RoHS
Compliant

ZONE	SYMBOL	REVISION	APPROVAL	DATE

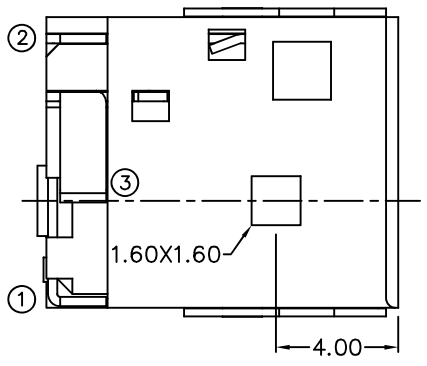
1

1



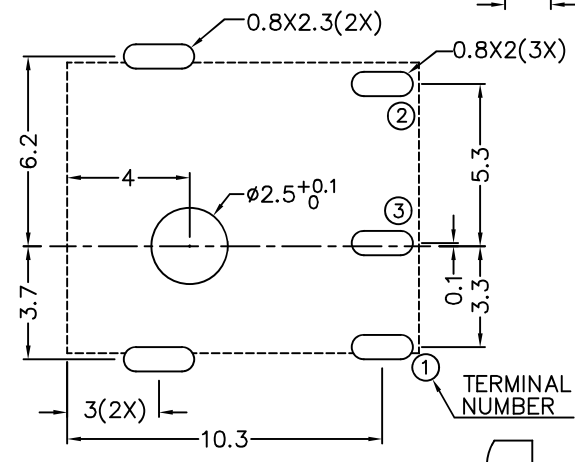
2

2

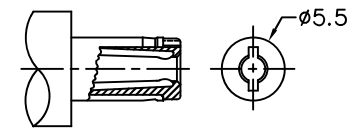


*** MATERIAL**
 CENTRE PIN : COPPER
 TERMINAL 1 : BRASS
 TERMINAL 2 : COPPER ALLOY
 TERMINAL 3 : BRASS
 SHIELD : BRASS
 HOUSING : THERMOPLASTIC

MODEL NO.	LDC-048HS
SCHEMATIC	
CENTER PIN	ø1.65mm
	ø2mm
	ø2.5mm



RECOMMENDED PCB LAYOUT
TOLERANCE: ±0.05
(TOP VIEW)



RECOMMENDED
DC MATING PLUG

3

3

4

4



LINKPLEX TECHNOLOGY LIMITED

DESIGN	T.Y.LI	DATE	29-3-2004	SCALE	4:1
DRAWING	N.X.LIU	DATE	9-8-2022	MATERIAL	*
CHECK	J.X.KUANG	DATE	9-8-2022	DWG. NO.	TZ\DC048HS-B/1.0
APPROVAL		DATE		SHEET	1/1

PART NAME	HIGH CURRENT DC POWER SOCKET	TOLERANCE UNLESS	0.0±0.2	UNIT:	
PART NO.	LDC-048HS	OTHERWISE SPECIFIED:	0.00±0.1	mm	
			0.000±0.05		

F E D C B A