

F

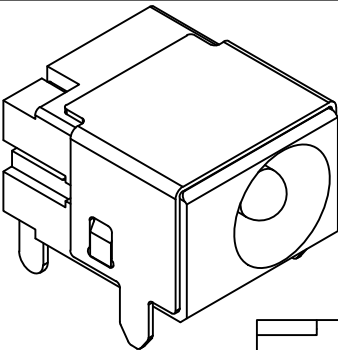
E

D

C

B

A

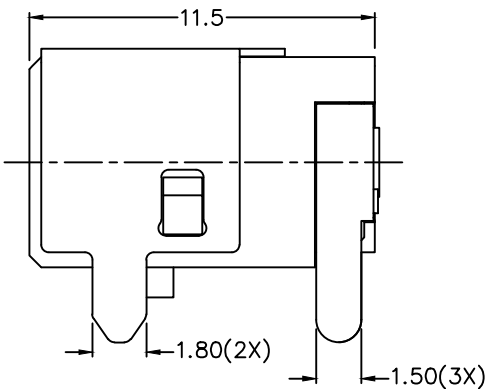
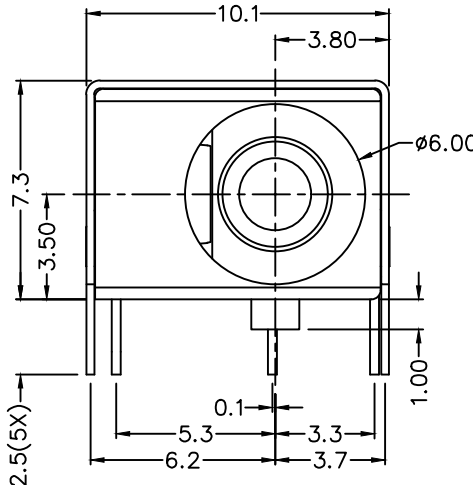
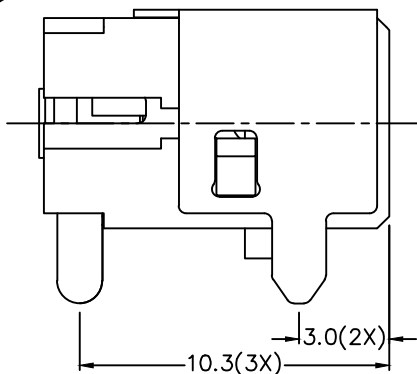


RoHS
Compliant

ZONE	SYMBOL	REVISION	APPROVAL	DATE
		ADJUST THE RECOMMENDED DC	H.Q.ZHOU	10-9-2023
		MATING PLUG		

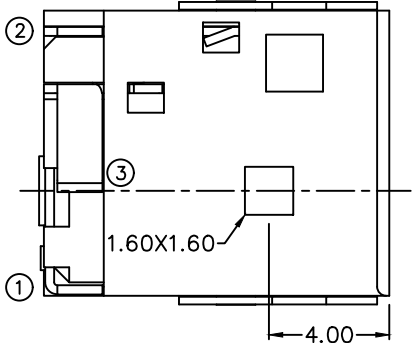
1

1



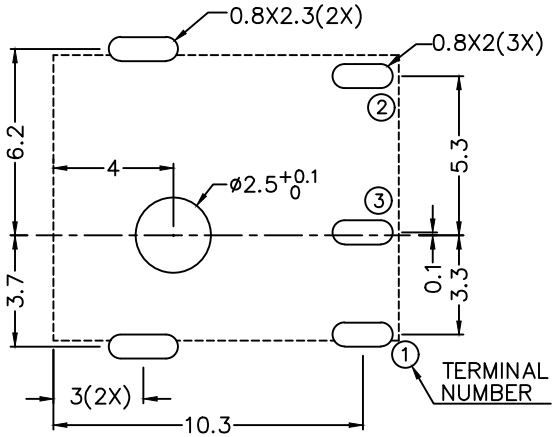
2

2



*** MATERIAL**
 CENTRE PIN : COPPER
 TERMINAL 1 : BRASS
 TERMINAL 2 : COPPER ALLOY
 TERMINAL 3 : BRASS
 SHIELD : BRASS
 HOUSING : HIGH TEMP. PLASTIC

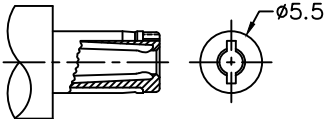
MODEL NO.	LDC-048H2S
SCHEMATIC	
CENTER PIN	ø1.65mm
	ø2mm
	ø2.5mm



RECOMMENDED PCB LAYOUT
 TOLERANCE: ±0.05
 (TOP VIEW)

3

3



RECOMMENDED
 DC MATING PLUG

4

4

LINKPLEX TECHNOLOGY LIMITED

DESIGN	T.Y.LI	DATE	29-3-2004	SCALE	4:1
DRAWING	J.H.ZHOU	DATE	10-9-2023	MATERIAL	*
CHECK	H.L.TAN	DATE	10-9-2023	DWG. NO.	TZ\DC048H2S-A/1.1
APPROVAL	H.Q.ZHOU	DATE	10-9-2023	SHEET	1/1

PART NAME	HIGH CURRENT DC POWER SOCKET	TOLERANCE UNLESS	0.0±0.2	UNIT:	
PART NO.	LDC-048H2S	OTHERWISE SPECIFIED:	0.00±0.1 0.000±0.05	mm	

F

E

D

C

B

A