

F

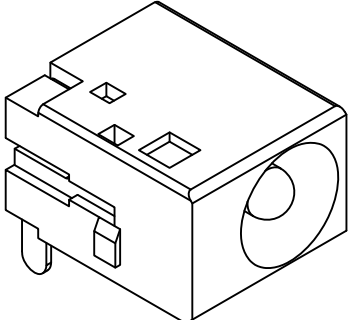
E

D

C

B

A

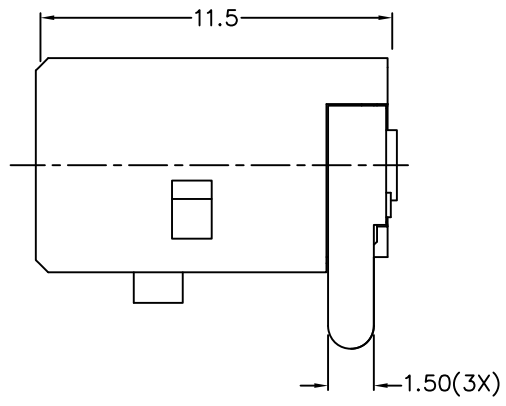
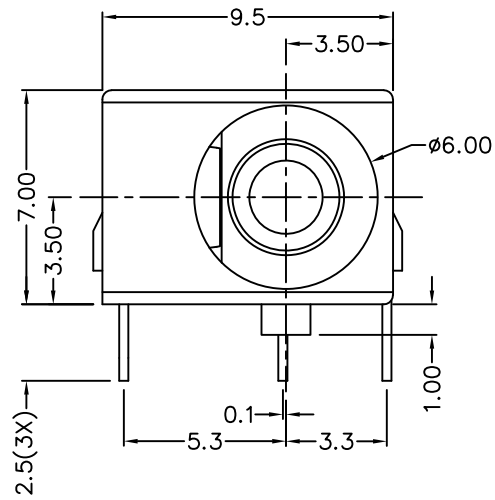
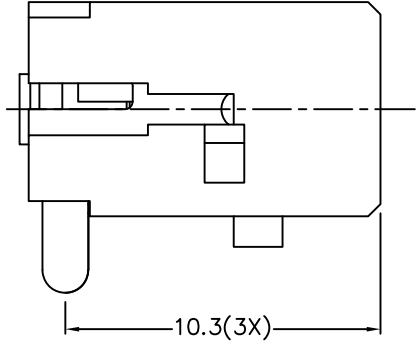


RoHS
Compliant

ZONE	SYMBOL	REVISION	APPROVAL	DATE

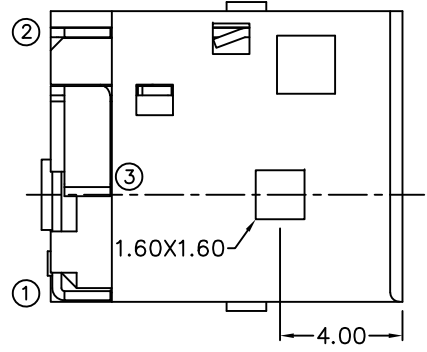
1

1



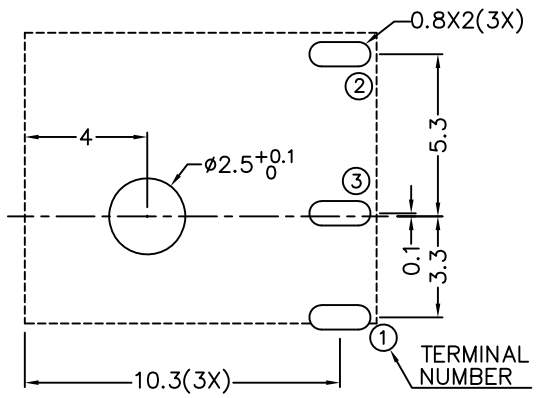
2

2



*** MATERIAL**
 CENTRE PIN : COPPER
 TERMINAL 1 : BRASS
 TERMINAL 2 : COPPER ALLOY
 TERMINAL 3 : BRASS
 HOUSING : THERMOPLASTIC

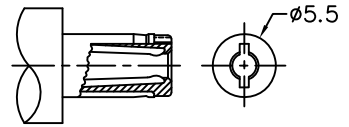
MODEL NO.	LDC-048H
SCHEMATIC	
CENTER PIN	$\phi 1.65\text{mm}$
	$\phi 2\text{mm}$
	$\phi 2.5\text{mm}$



RECOMMENDED PCB LAYOUT
 TOLERANCE: ± 0.05
 (TOP VIEW)

3

3



DC MATE PLUG

4

4

LINKPLEX TECHNOLOGY LIMITED

DESIGN	J.X.KUANG	DATE	3-3-2004	SCALE	4:1
DRAWING	J.CH.OU	DATE	21-9-2016	MATERIAL	*
CHECK	H.L.TAN	DATE	21-9-2016	DWG. NO.	TZ\DC048H-B/1.1
APPROVAL		DATE	21-9-2016	SHEET	

PART NAME	HIGH CURRENT DC POWER SOCKET	TOLERANCE UNLESS	0.0 \pm 0.2	UNIT:	
PART NO.	LDC-048H	OTHERWISE SPECIFIED:	0.00 \pm 0.1 0.000 \pm 0.05	mm	

F

E

D

C

B

A