

F

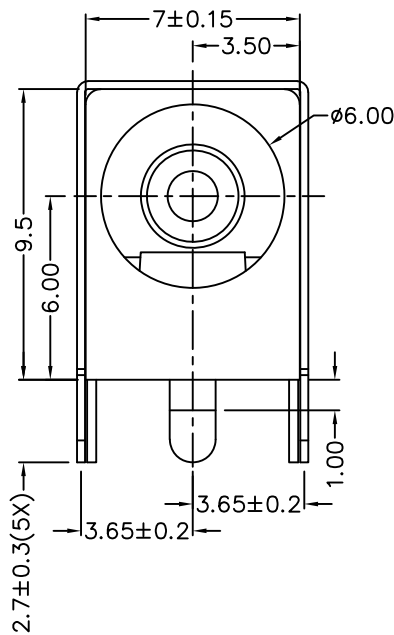
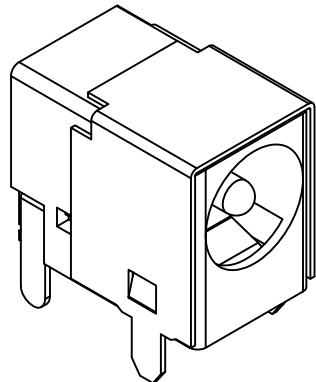
E

D

C

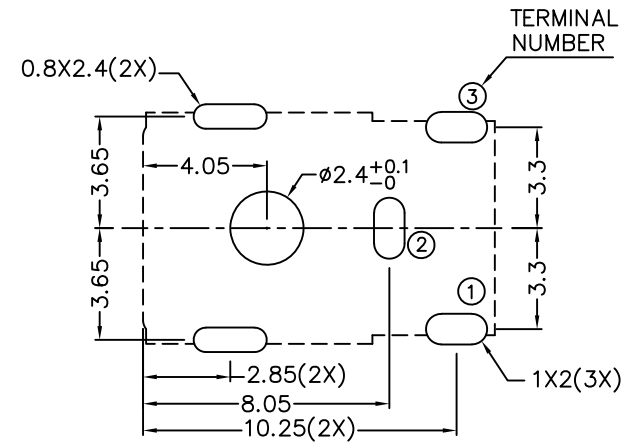
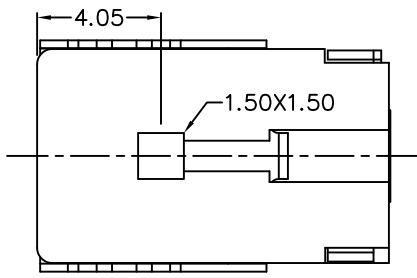
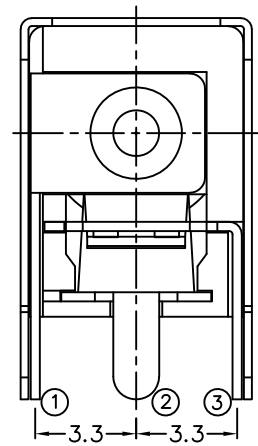
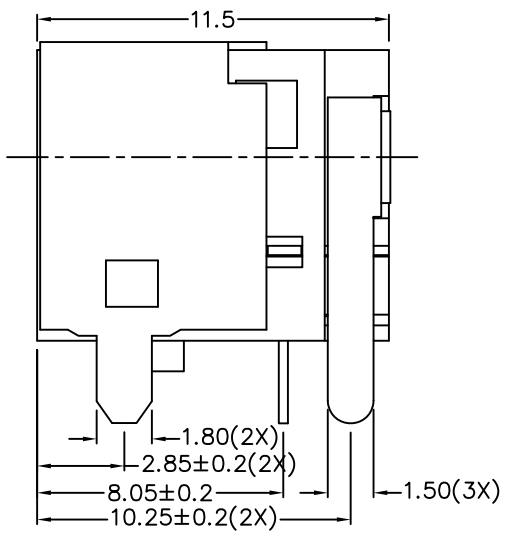
B

A

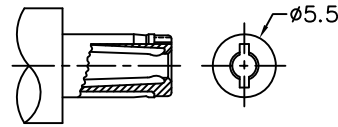


**RoHS**  
Compliant

ZONE	SYMBOL	REVISION	APPROVAL	DATE



RECOMMENDED PCB LAYOUT  
TOLERANCE: ±0.05  
(TOP VIEW)



DC MATE PLUG

MODEL NO.	LDC-038S
SCHEMATIC	
CENTER PIN	ø1.65mm
	ø2mm
	ø2.5mm

**\* MATERIAL**  
 CENTRE PIN : COPPER  
 TERMINAL 1 : BRASS  
 TERMINAL 2 : COPPER ALLOY  
 TERMINAL 3 : BRASS  
 SHIELD : BRASS  
 HOUSING : THERMOPLASTIC

**LINKPLEX TECHNOLOGY LIMITED**

DESIGN	J.X.KUANG	DATE	5-1-2005	SCALE	4:1
DRAWING	T.Y.LI	DATE	16-9-2016	MATERIAL	*
CHECK	H.L.TAN	DATE	16-9-2016	DWG. NO.	TZ\DC038S-B/1.0
APPROVAL		DATE	16-9-2016	SHEET	

PART NAME	DC POWER SOCKET	TOLERANCE UNLESS	0.0±0.2	UNIT:	
PART NO.	LDC-038S	OTHERWISE SPECIFIED:	0.00±0.1 0.000±0.05	mm	

F

E

D

C

B

A