

F

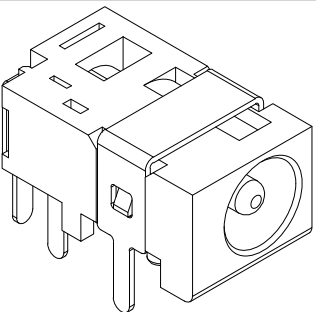
E

D

C

B

A

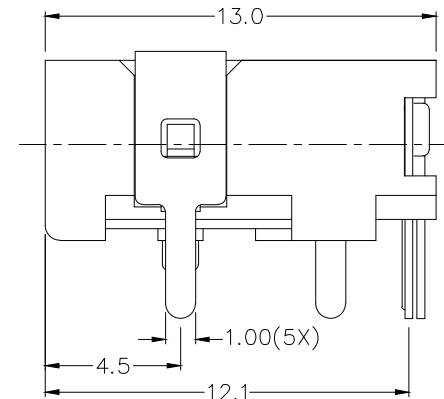
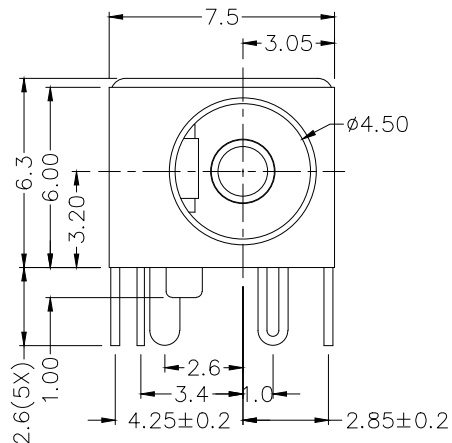
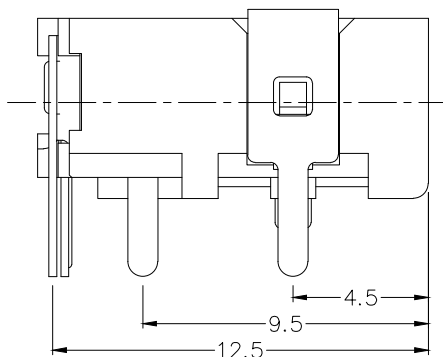


RoHS  
Compliant

ZONE	SYMBOL	REVISION	APPROVAL	DATE

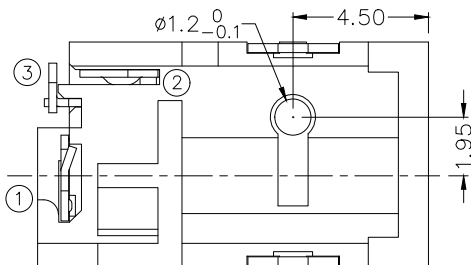
1

1



2

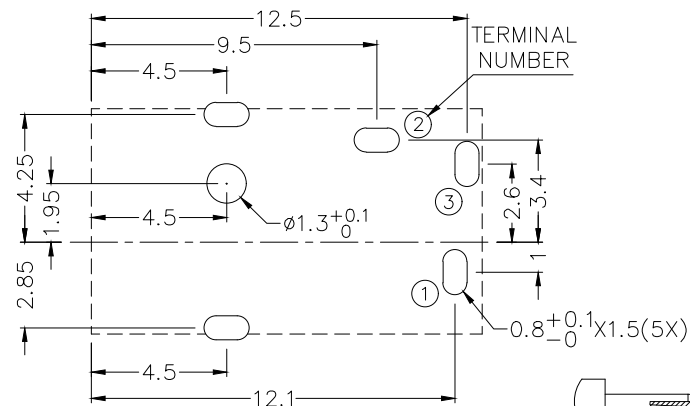
2



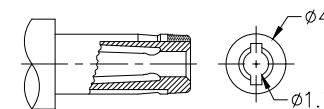
\* MATERIAL

TERMINAL 1 : BRASS  
 TERMINAL 2 : COPPER ALLOY  
 TERMINAL 3 : BRASS  
 SHIELD : BRASS  
 HOUSING : THERMOPLASTIC

MODEL NO.	LDC-035HS
SCHEMATIC	
CENTER PIN	ø1.650mm



RECOMMENDED PCB LAYOUT  
 TOLERANCE: ±0.05  
 (TOP VIEW)



RECOMMENDED  
 DC MATING PLUG

3

3

4

4



LINKPLEX TECHNOLOGY LIMITED

DESIGN	J.X.KUANG	DATE	10-10-2003	SCALE	4:1
DRAWING	N.X.LIU	DATE	25-11-2023	MATERIAL	*
CHECK	T.Y.LI	DATE	25-11-2023	DWG. NO.	TZ\DC035HS-B/1.0
APPROVAL	H.Q.ZHOU	DATE	25-11-2023	SHEET	1/1

PART NAME	HIGH CURRENT DC POWER SOCKET	TOLERANCE UNLESS	0.0±0.2	UNIT:	
PART NO.	LDC-035HS	OTHERWISE SPECIFIED:	0.00±0.1 0.000±0.05	mm	

F

E

D

C

B

A