

F

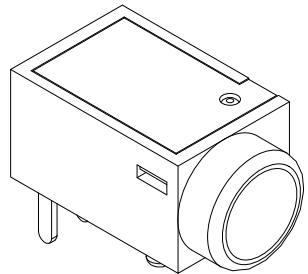
E

D

C

B

A

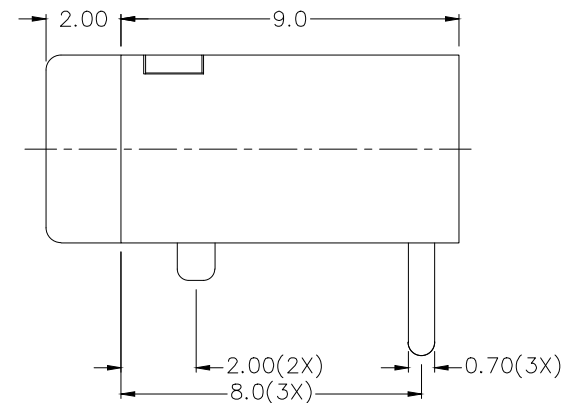
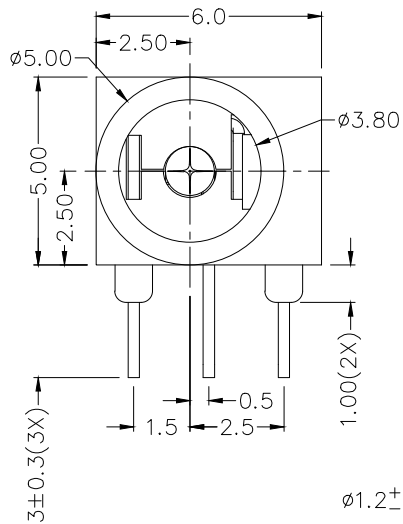
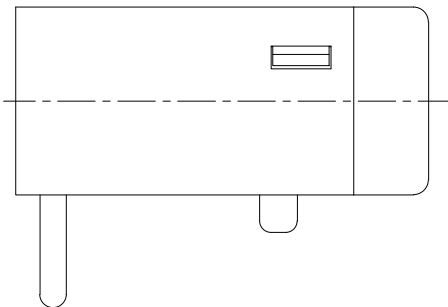


RoHS
Compliant

ZONE	SYMBOL	REVISION	APPROVAL	DATE
		ADJUST THE RECOMMENDED DC MATING PLUG	J.X.KUANG	8-10-2019

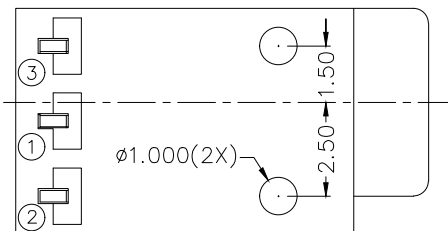
1

1



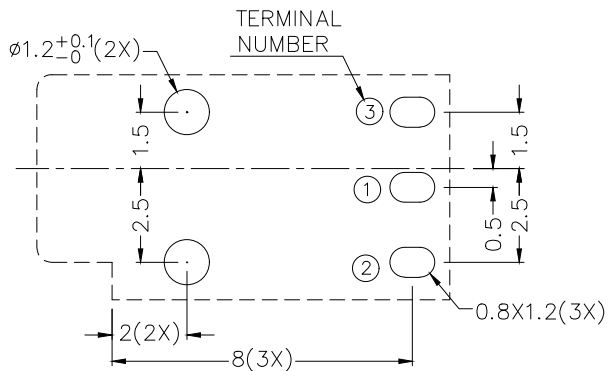
2

2

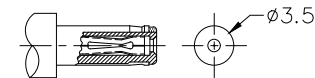


* MATERIAL

TERMINAL 1 : BRASS
 TERMINAL 2 : COPPER ALLOY
 TERMINAL 3 : BRASS
 HOUSING : THERMOPLASTIC
 COVER : THERMOPLASTIC



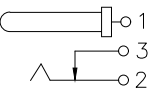
RECOMMENDED PCB LAYOUT
 TOLERANCE: ± 0.05
 (TOP VIEW)



RECOMMENDED
 DC MATING PLUG

3

3

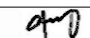
MODEL NO.	LDC-022H
SCHEMATIC	
CENTER PIN	$\phi 1.000\text{mm}$
	$\phi 1.300\text{mm}$

4

4



LINKPLEX TECHNOLOGY LIMITED

DESIGN	T.Y.LI	DATE	13-6-2005	SCALE	5:1
DRAWING	H.Q.ZHOU	DATE	8-10-2019	MATERIAL	*
CHECK	H.L.TAN	DATE	8-10-2019	DWG. NO.	TZ\DC022H-B/1.2
APPROVAL		DATE	8-10-2019	SHEET	1/1

PART NAME HIGH CURRENT DC POWER SOCKET

PART NO. LDC-022H

TOLERANCE UNLESS OTHERWISE SPECIFIED:
 0.0 ± 0.2
 0.00 ± 0.1
 0.000 ± 0.05

UNIT: mm



F

E

D

C

B

A