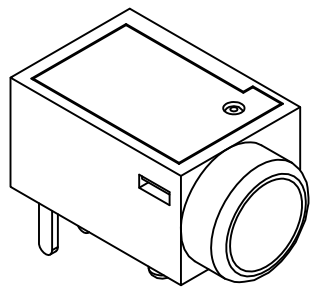
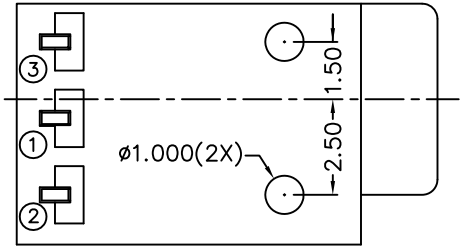
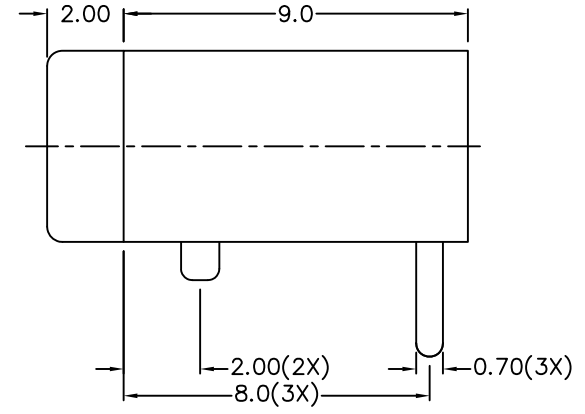
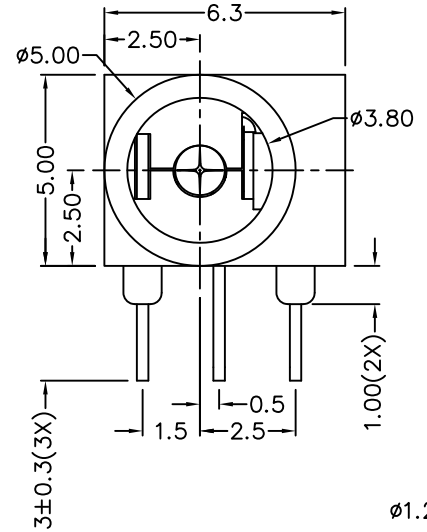
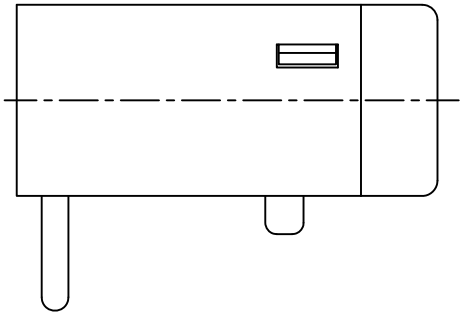


F E D C B A



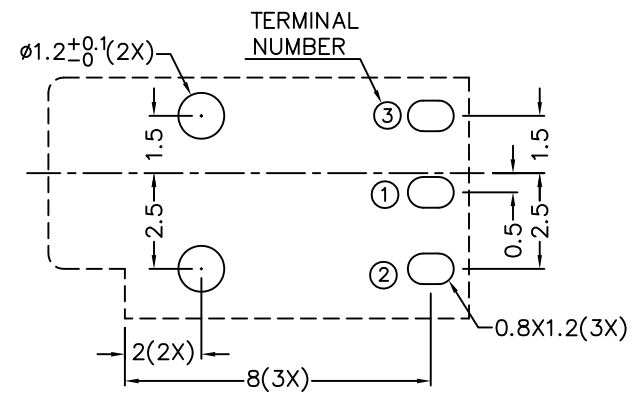
**RoHS**  
Compliant

ZONE	SYMBOL	REVISION	APPROVAL	DATE
		ADJUST THE RECOMMENDED DC MATING PLUG	J.X.KUANG	8-10-2019

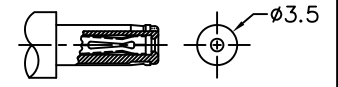


**\* MATERIAL**  
 TERMINAL 1 : BRASS  
 TERMINAL 2 : COPPER ALLOY  
 TERMINAL 3 : BRASS  
 HOUSING : THERMOPLASTIC  
 COVER : THERMOPLASTIC

MODEL NO.	LDC-022-H3
SCHEMATIC	
CENTER PIN	ø1.000mm ø1.300mm



RECOMMENDED PCB LAYOUT  
TOLERANCE: ±0.05  
(TOP VIEW)



RECOMMENDED  
DC MATING PLUG

**LINKPLEX TECHNOLOGY LIMITED**

DESIGN	T.Y.LI	DATE	13-6-2005	SCALE	5:1
DRAWING	H.Q.ZHOU	DATE	8-10-2019	MATERIAL	*
CHECK	H.L.TAN	DATE	8-10-2019	DWG. NO.	TZ\DC022-H3-B/1.2
APPROVAL		DATE	14-10-2019	SHEET	

PART NAME	DC POWER SOCKET	TOLERANCE UNLESS	0.0±0.2	UNIT:	
PART NO.	LDC-022-H3	OTHERWISE SPECIFIED:	0.00±0.1 0.000±0.05	mm	

F E D C B A