

F

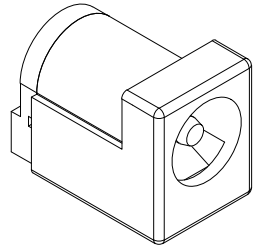
E

D

C

B

A

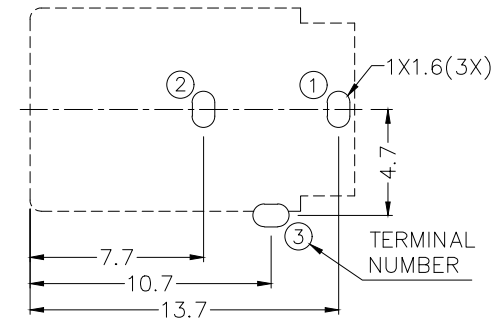
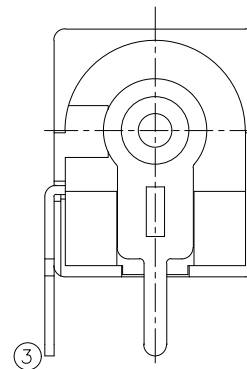
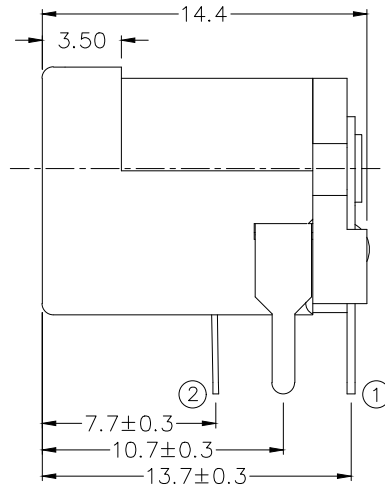
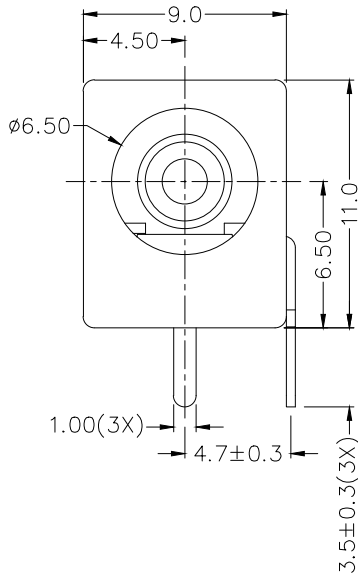


RoHS
Compliant

ZONE	SYMBOL	REVISION	APPROVAL	DATE
		ADJUST THE RECOMMENDED DC	H.Q.ZHOU	10-9-2023
		MATING PLUG		

1

1



RECOMMENDED PCB LAYOUT
TOLERANCE: ±0.05
(TOP VIEW)

2

2

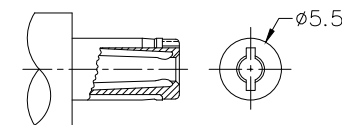
3

3

MODEL NO.	LDC-021-3
SCHEMATIC	
CENTER PIN	ø1.65mm
	ø2mm
	ø2.5mm

* MATERIAL

- CENTRE PIN : COPPER
- TERMINAL 1 : BRASS
- TERMINAL 2 : COPPER ALLOY
- TERMINAL 3 : BRASS
- HOUSING : THERMOPLASTIC
- COVER : THERMOPLASTIC



RECOMMENDED
DC MATING PLUG

4

4

LINKPLEX TECHNOLOGY LIMITED

DESIGN	T.Y.LI	DATE	30-1-2004	SCALE	3:1
DRAWING	J.H.ZHOU	DATE	10-9-2023	MATERIAL	*
CHECK	H.L.TAN	DATE	10-9-2023	DWG. NO.	TZ\DC021-3-B/1.1
APPROVAL	H.Q.ZHOU	DATE	10-9-2023	SHEET	1/1

PART NAME	DC POWER SOCKET	TOLERANCE UNLESS	0.0±0.2	UNIT:
PART NO.	LDC-021-3	OTHERWISE SPECIFIED:	0.00±0.1 0.000±0.05	

F

E

D

C

B

A