

F

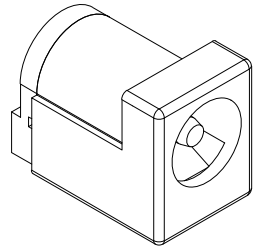
E

D

C

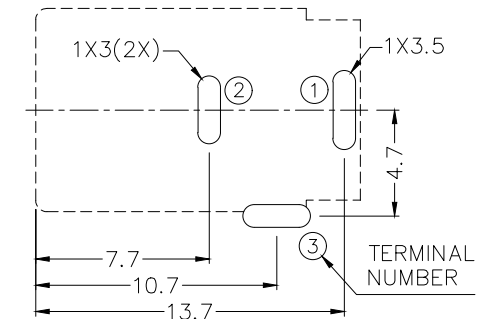
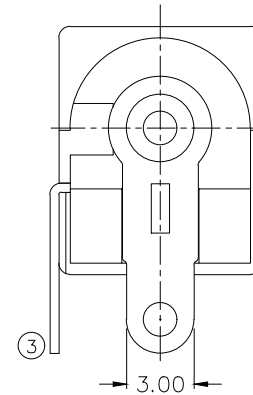
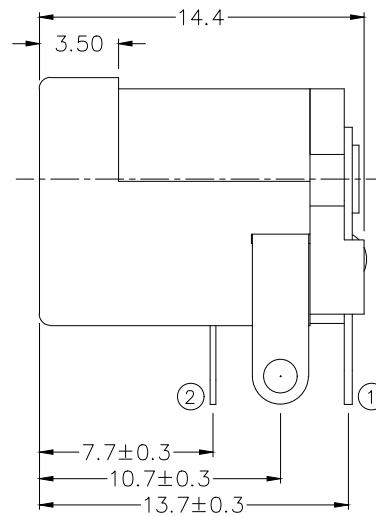
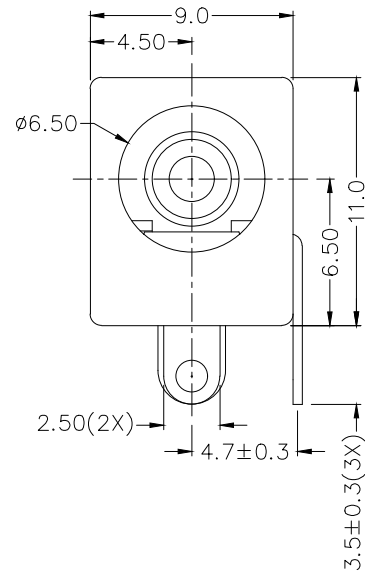
B

A



RoHS  
Compliant

ZONE	SYMBOL	REVISION	APPROVAL	DATE
		ADJUST THE RECOMMENDED DC	H.Q.ZHOU	10-9-2023
		MATING PLUG		

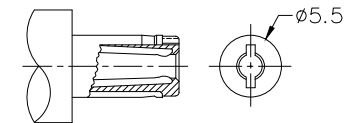


RECOMMENDED PCB LAYOUT  
TOLERANCE:  $\pm 0.05$   
(TOP VIEW)

MODEL NO.	LDC-021-1
SCHEMATIC	
CENTER PIN	$\phi 1.65\text{mm}$
	$\phi 2\text{mm}$
	$\phi 2.35\text{mm}$
	$\phi 2.5\text{mm}$

\* MATERIAL

CENTRE PIN : COPPER  
 TERMINAL 1 : BRASS  
 TERMINAL 2 : COPPER ALLOY  
 TERMINAL 3 : BRASS  
 HOUSING : THERMOPLASTIC  
 COVER : THERMOPLASTIC



RECOMMENDED  
DC MATING PLUG



LINKPLEX TECHNOLOGY LIMITED

DESIGN	T.Y.LI	DATE	30-1-2004	SCALE	3:1
DRAWING	J.H.ZHOU	DATE	10-9-2023	MATERIAL	*
CHECK	H.L.TAN	DATE	10-9-2023	DWG. NO.	TZ\DC021-1-B/1.1
APPROVAL	H.Q.ZHOU	DATE	10-9-2023	SHEET	1/1

PART NAME	DC POWER SOCKET	TOLERANCE UNLESS	0.0 $\pm$ 0.2	UNIT:	
PART NO.	LDC-021-1	OTHERWISE SPECIFIED:	0.00 $\pm$ 0.1 0.000 $\pm$ 0.05	mm	

F

E

D

C

B

A