

F

E

D

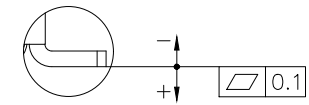
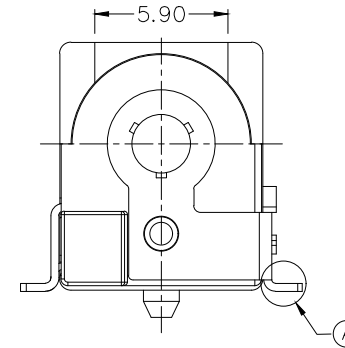
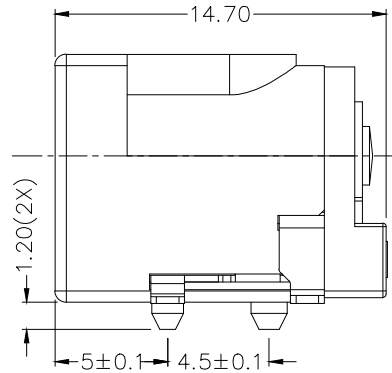
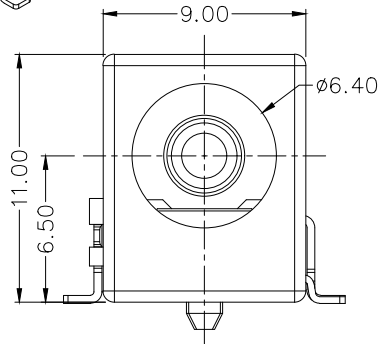
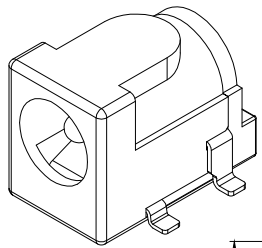
C

B

A

RoHS
Compliant

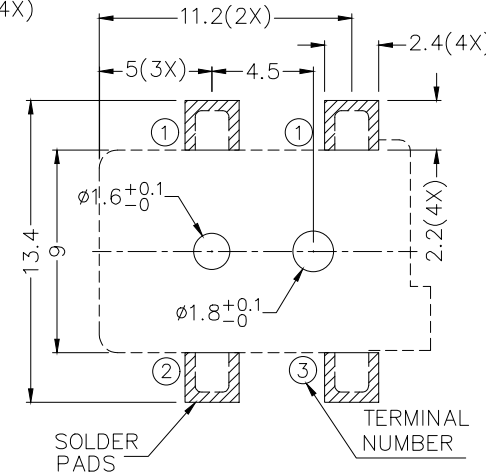
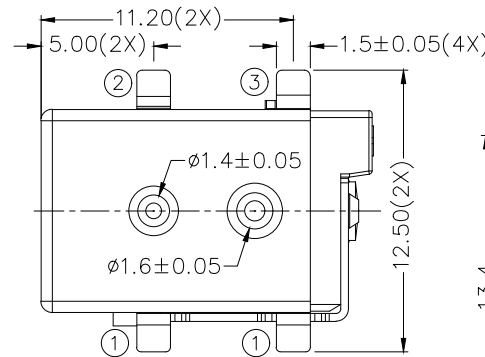
ZONE	SYMBOL	REVISION	APPROVAL	DATE



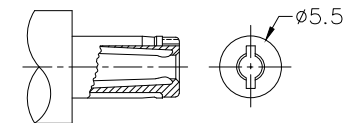
A DETAIL COPLANARITY

* MATERIAL

- CENTRE PIN : COPPER
- TERMINAL 1 : BRASS
- TERMINAL 2 : COPPER ALLOY
- TERMINAL 3 : BRASS
- HOUSING : HIGH TEMP.PLASTIC
- COVER : HIGH TEMP.PLASTIC



RECOMMENDED PCB LAYOUT
TOLERANCE: ±0.05
(TOP VIEW)



RECOMMENDED
DC MATING PLUG

MODEL NO.	LDC-016H
SCHEMATIC	
CENTER PIN	$\phi 2^{+0}_{-0.05}$ mm
	$\phi 2.5^{+0}_{-0.05}$ mm

LINKPLEX TECHNOLOGY LIMITED

DESIGN	T.Y.LI	DATE	18-10-2005	SCALE	3:1
DRAWING	N.X.LIU	DATE	9-8-2022	MATERIAL	*
CHECK	J.X.KUANG	DATE	9-8-2022	DWG. NO.	TZ\DC016H-A/1.0
APPROVAL		DATE	9-8-2022	SHEET	1/1

F

E

D

C

B

A