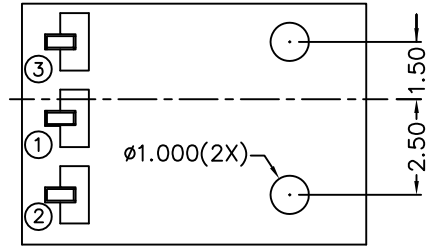
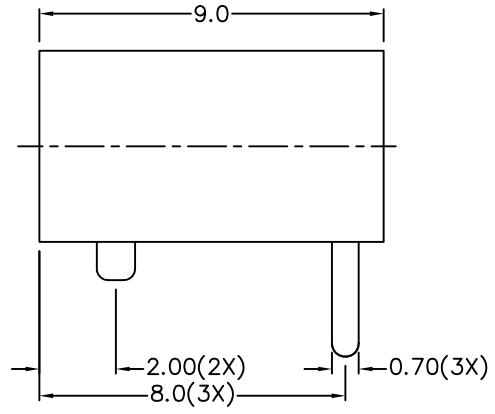
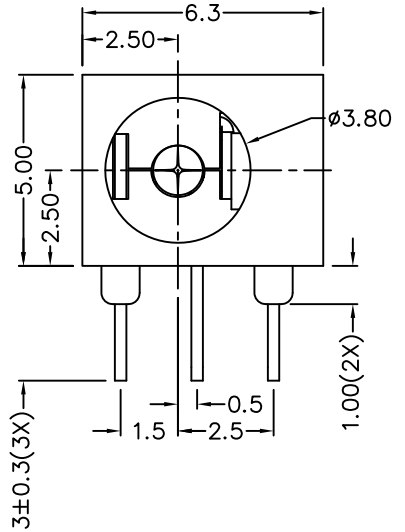
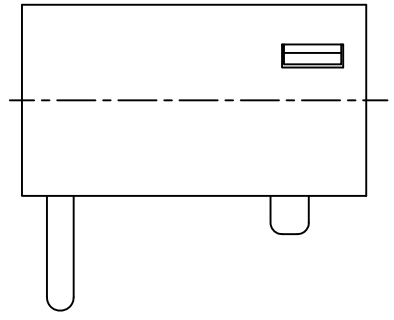
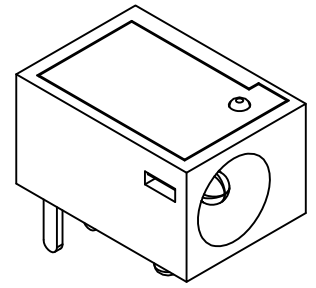


F E D C B A

RoHS  
Compliant

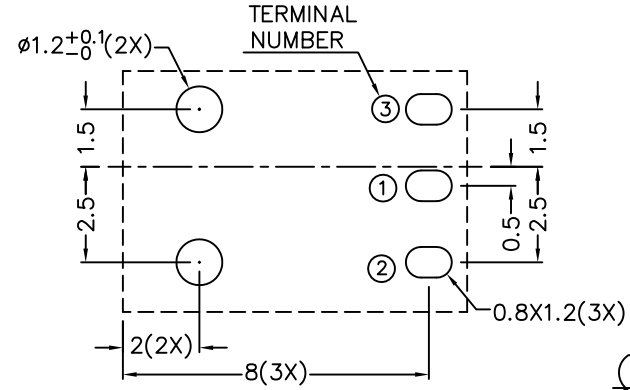
ZONE	SYMBOL	REVISION	APPROVAL	DATE
		ADJUST THE RECOMMENDED DC MATING PLUG	J.X.KUANG	8-10-2019



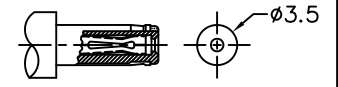
\* MATERIAL

- TERMINAL 1 : BRASS
- TERMINAL 2 : COPPER ALLOY
- TERMINAL 3 : BRASS
- HOUSING : THERMOPLASTIC
- COVER : THERMOPLASTIC

MODEL NO.	LDC-015H-H3
SCHEMATIC	
CENTER PIN	ø1.000mm
	ø1.300mm



RECOMMENDED PCB LAYOUT  
TOLERANCE: ±0.05  
(TOP VIEW)



RECOMMENDED  
DC MATING PLUG

LINKPLEX TECHNOLOGY LIMITED

DESIGN	T.Y.LI	DATE	13-6-2005	SCALE	5:1
DRAWING	H.Q.ZHOU	DATE	8-10-2019	MATERIAL	*
CHECK	H.L.TAN	DATE	8-10-2019	DWG. NO.	TZ\DC015H-H3-B/1.2
APPROVAL		DATE	14-10-2019	SHEET	

PART NAME	HIGH CURRENT DC POWER SOCKET	TOLERANCE UNLESS	0.0±0.2	UNIT:	
PART NO.	LDC-015H-H3	OTHERWISE SPECIFIED:	0.00±0.1 0.000±0.05	mm	

F E D C B A