

F

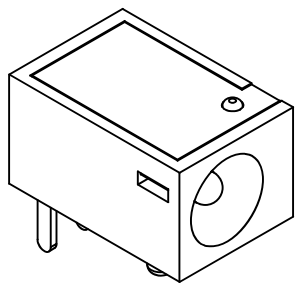
E

D

C

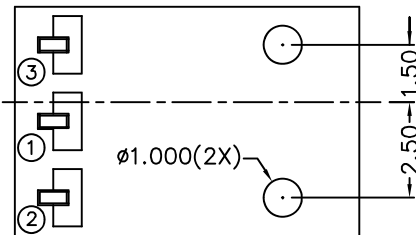
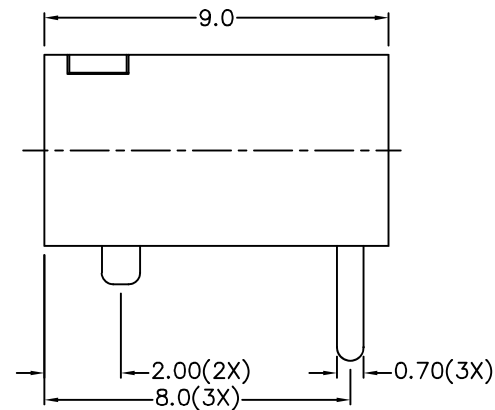
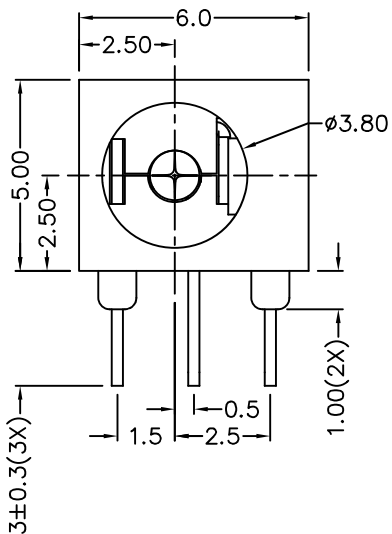
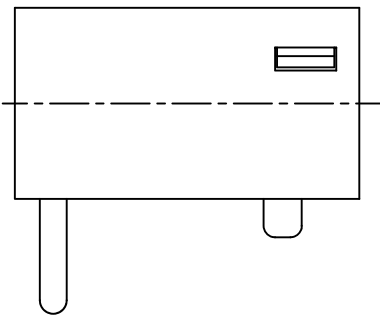
B

A



RoHS
Compliant

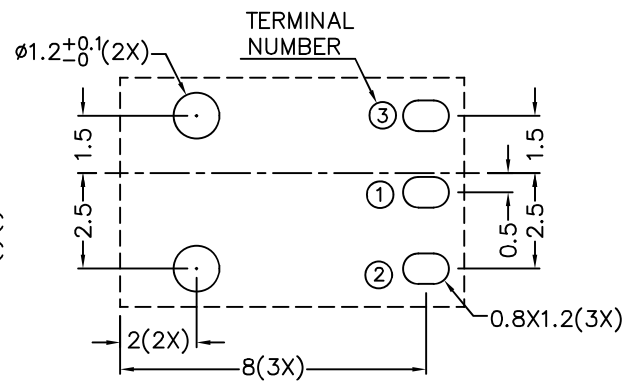
ZONE	SYMBOL	REVISION	APPROVAL	DATE



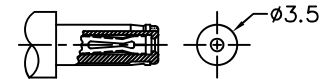
*** MATERIAL**

- TERMINAL 1 : BRASS
- TERMINAL 2 : COPPER ALLOY
- TERMINAL 3 : BRASS
- HOUSING : THERMOPLASTIC
- COVER : THERMOPLASTIC

MODEL NO.	LDC-015H
SCHEMATIC	
CENTER PIN	ø1.000mm
	ø1.300mm



RECOMMENDED PCB LAYOUT
TOLERANCE: ±0.05
(TOP VIEW)



RECOMMENDED
DC MATING PLUG

LINKPLEX TECHNOLOGY LIMITED

DESIGN	T.Y.LI	DATE	13-6-2005	SCALE	5:1
DRAWING	N.X.LIU	DATE	9-8-2022	MATERIAL	*
CHECK	J.X.KUANG	DATE	9-8-2022	DWG. NO.	TZ\DC015H-B/1.0
APPROVAL		DATE		SHEET	1/1

PART NAME	HIGH CURRENT DC POWER SOCKET	TOLERANCE UNLESS	0.0±0.2	UNIT:	mm
PART NO.	LDC-015H	OTHERWISE SPECIFIED:	0.00±0.1 0.000±0.05		

F

E

D

C

B

A