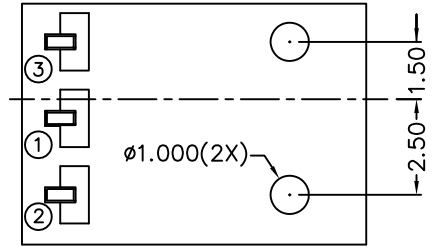
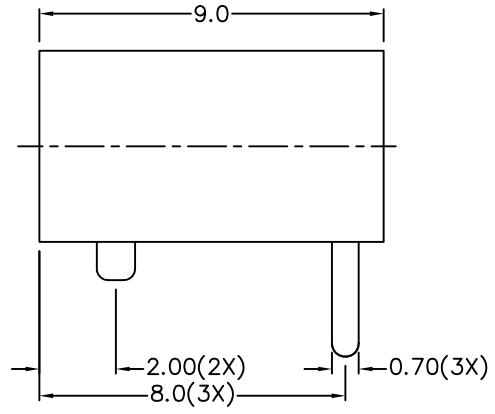
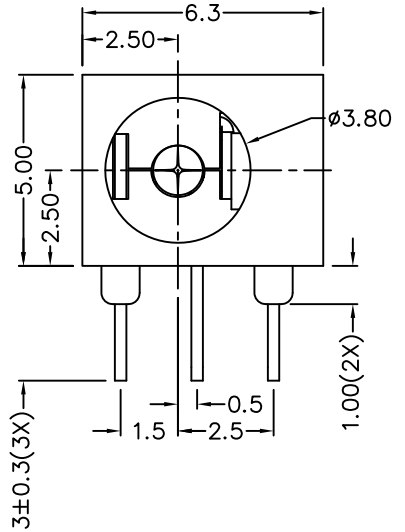
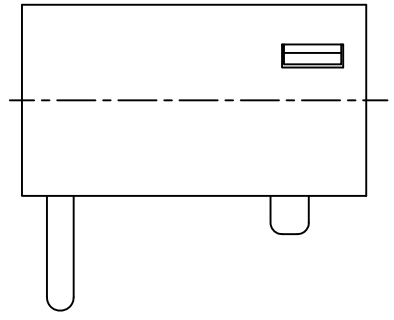
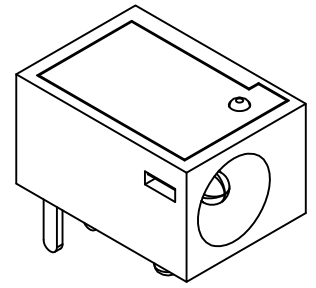


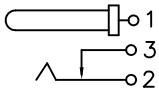
F E D C B A

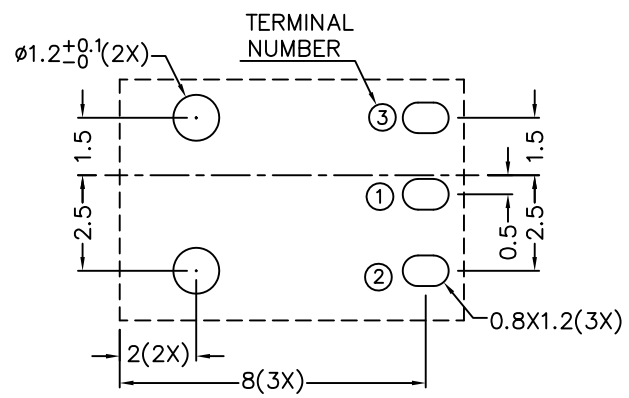
RoHS
Compliant

ZONE	SYMBOL	REVISION	APPROVAL	DATE
		ADJUST THE RECOMMENDED DC MATING PLUG	J.X.KUANG	8-10-2019

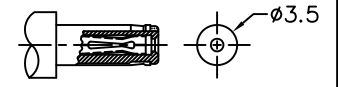


*** MATERIAL**
 TERMINAL 1 : BRASS
 TERMINAL 2 : COPPER ALLOY
 TERMINAL 3 : BRASS
 HOUSING : THERMOPLASTIC
 COVER : THERMOPLASTIC

MODEL NO.	LDC-015-H3		
SCHEMATIC			
CENTER PIN	<table border="1"> <tr> <td>∅1.000mm</td> </tr> <tr> <td>∅1.300mm</td> </tr> </table>	∅1.000mm	∅1.300mm
∅1.000mm			
∅1.300mm			




RECOMMENDED PCB LAYOUT
 TOLERANCE: ±0.05
 (TOP VIEW)



RECOMMENDED
 DC MATING PLUG

 **LINKPLEX TECHNOLOGY LIMITED**

DESIGN	T.Y.LI	DATE	13-6-2005	SCALE	5:1
DRAWING	H.Q.ZHOU	DATE	8-10-2019	MATERIAL	*
CHECK	H.L.TAN	DATE	8-10-2019	DWG. NO.	TZ\DC015-H3-B/1.2
APPROVAL		DATE	14-10-2019	SHEET	

PART NAME	DC POWER SOCKET	TOLERANCE UNLESS	0.0±0.2	UNIT:	
PART NO.	LDC-015-H3	OTHERWISE SPECIFIED:	0.00±0.05	mm	

F E D C B A