

F

E

D

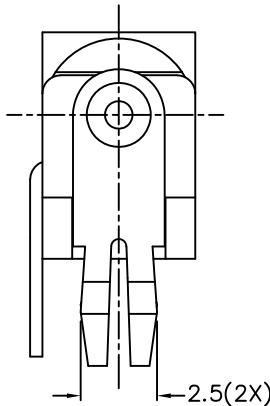
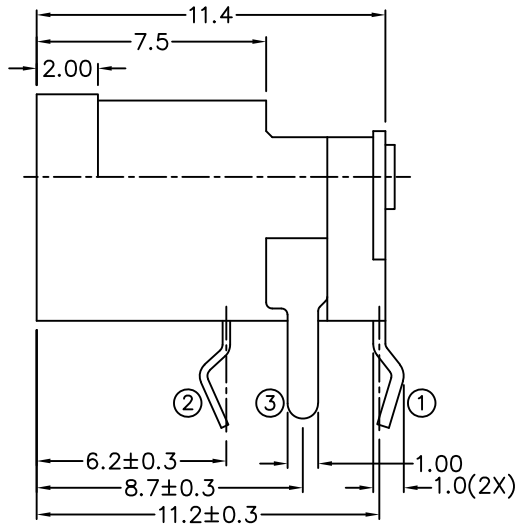
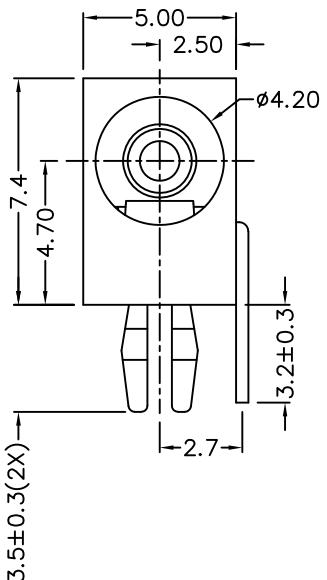
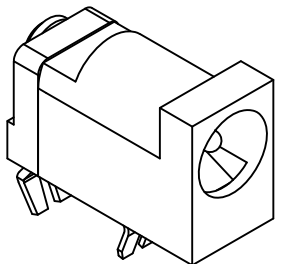
C

B

A

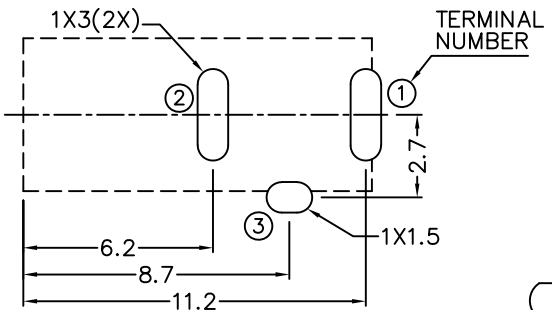
RoHS
Compliant

ZONE	SYMBOL	REVISION	APPROVAL	DATE
		ADJUST THE RECOMMENDED DC MATING PLUG	J.X.KUANG	8-10-2019

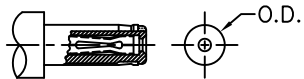


MODEL NO.	LDC-009-2	LDC-009-2
SCHEMATIC		
CENTER PIN	$\phi 1.000\text{mm}$ $\phi 1.300\text{mm}$	$\phi 1.650\text{mm}$
DC PLUG O.D.	$\phi 3.5\text{mm}$	$\phi 4\text{mm}$

*** MATERIAL**
 CENTRE PIN : COPPER
 TERMINAL 1 : BRASS
 TERMINAL 2 : COPPER ALLOY
 TERMINAL 3 : BRASS
 HOUSING : THERMOPLASTIC
 COVER : THERMOPLASTIC



RECOMMENDED PCB LAYOUT
 TOLERANCE: ± 0.05
 (TOP VIEW)



RECOMMENDED
 DC MATING PLUG

LINKPLEX TECHNOLOGY LIMITED

DESIGN	J.X.KUANG	DATE	8-10-2003	SCALE	4:1
DRAWING	H.Q.ZHOU	DATE	8-10-2019	MATERIAL	*
CHECK	H.L.TAN	DATE	8-10-2019	DWG. NO.	TZ\DC009-2-B/1.1
APPROVAL		DATE	11-10-2019	SHEET	

PART NAME	DC POWER SOCKET	TOLERANCE UNLESS	0.0±0.2	UNIT:	
PART NO.	LDC-009-2	OTHERWISE SPECIFIED:	0.00±0.1 0.000±0.05	mm	

F

E

D

C

B

A