

F

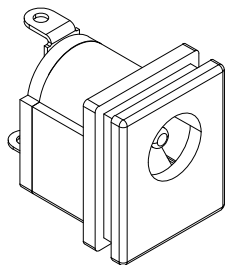
E

D

C

B

A

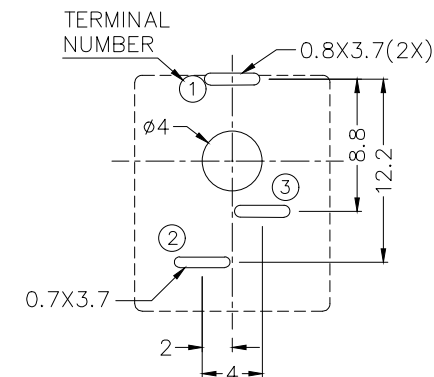
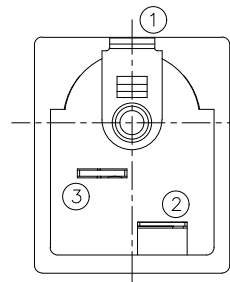
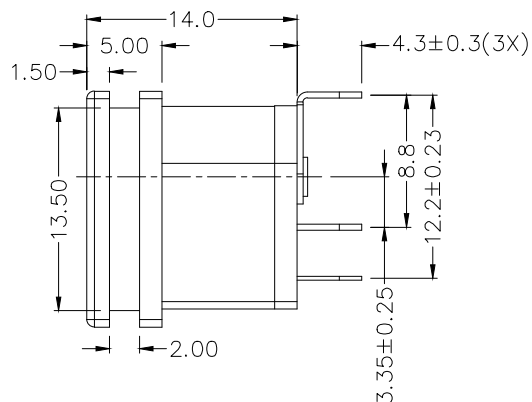
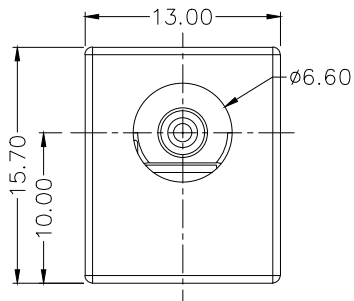


RoHS
Compliant

ZONE	SYMBOL	REVISION	APPROVAL	DATE
		UPDATE PCB LAYOUT	H.Q.ZHOU	28-3-2024

1

1



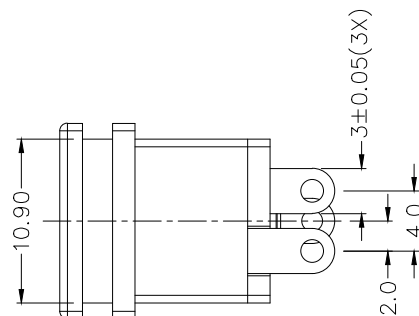
RECOMMENDED PCB LAYOUT
TOLERANCE: ± 0.05
(TOP VIEW)

2

2

3

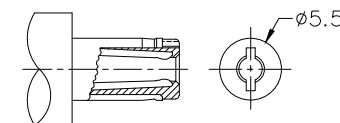
3



* MATERIAL

CENTRE PIN : BRASS
TERMINAL 1 : BRASS
TERMINAL 2 : COPPER ALLOY
TERMINAL 3 : BRASS
HOUSING : THERMOPLASTIC
COVER : THERMOPLASTIC

MODEL NO.	LDC-008
SCHEMATIC	
CENTER PIN	$\phi 1.65^{+0}_{-0.1}$ mm
	$\phi 2^{+0}_{-0.1}$ mm
	$\phi 2.5^{+0}_{-0.1}$ mm



RECOMMENDED
DC MATING PLUG

4

4



LINKPLEX TECHNOLOGY LIMITED

PART NAME	DC POWER SOCKET	TOLERANCE UNLESS	0 ± 0.3	UNIT:		DESIGN	T.Y.LI	DATE	7-3-2007	SCALE	2:1
PART NO.	LDC-008	OTHERWISE SPECIFIED:	0.0 ± 0.25 0.00 ± 0.2	mm		DRAWING	N.X.LIU	DATE	28-3-2024	MATERIAL	*
						CHECK	J.X.KUANG	DATE	28-3-2024	DWG. NO.	TZ\DC008-B/1.1
						APPROVAL	H.Q.ZHOU	DATE	28-3-2024	SHEET	1/1

F

E

D

C

B

A